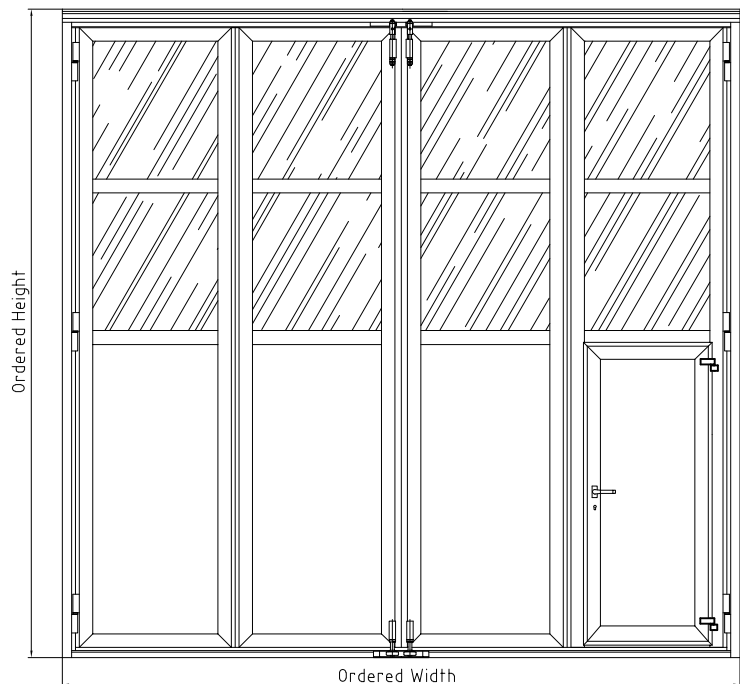
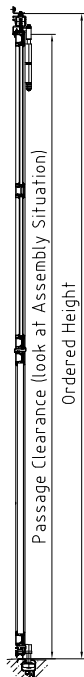


External View (Scale 1:50)

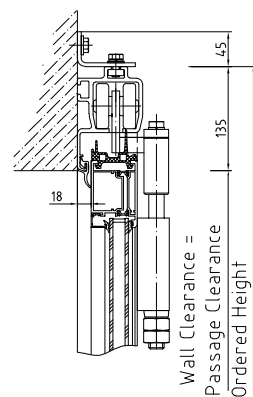


Vertical Cut (Scale 1:50)

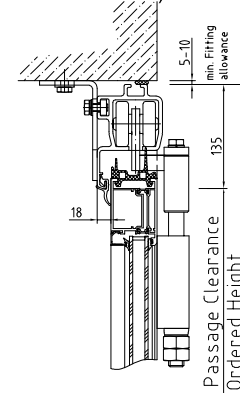


Assembly Situation on the Ledge (Scale 1:10)

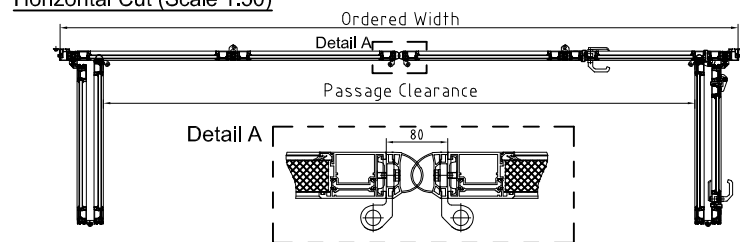
a) In front of or behind the reveal IR/BR



b) In the reveal IR

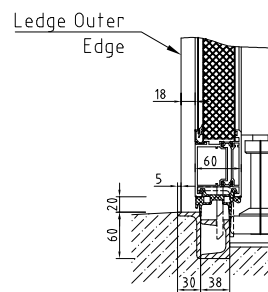


Horizontal Cut (Scale 1:50)

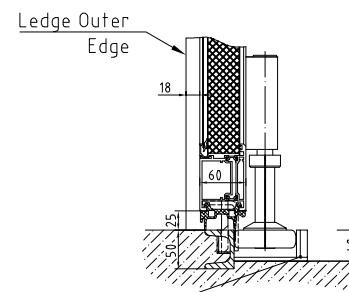


Bottom Details (Scale 1:10)

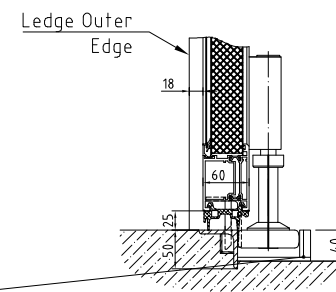
a) Threshold DA



b) Threshold U50D

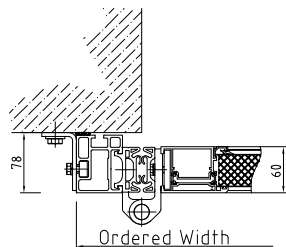


c) Threshold L50D

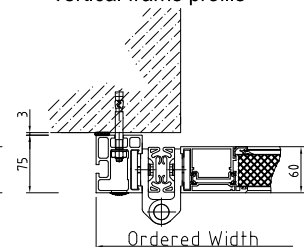


Assembly Situation (Scale 1:10)

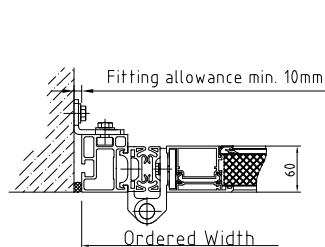
a) In front of or behind the reveal IR/BR



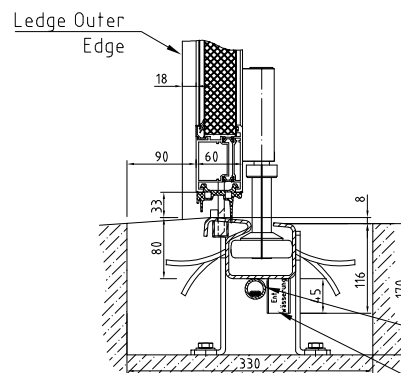
b) In front and through the vertical frame profile



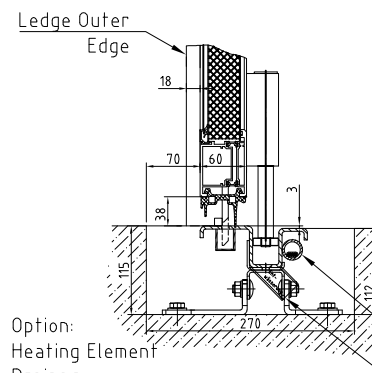
c) In the reveal IR



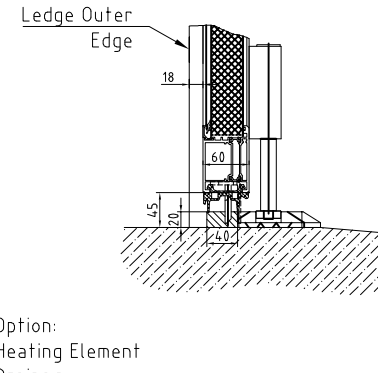
d) Floorguide



e) Floorguide light Niro



f) Flat steel Threshold S20D



Installation drawing
AL603F

SCHNEIDER - Torsysteme GmbH,

A-4611 Buchkirchen, Kalztlstraße 1

01.11.2023

SCHNEIDER
Torsysteme

Dateiname: SCH_EINBAU-ZNG_FALTTOR AL603F_2023-11_DE_EN