

Folding doors  
aluminium AL601F 2.0  
aluminium AL602F  
aluminium thermally separated AL603F  
steel ST602F  
BR600

Engineering  
Version 2023/11

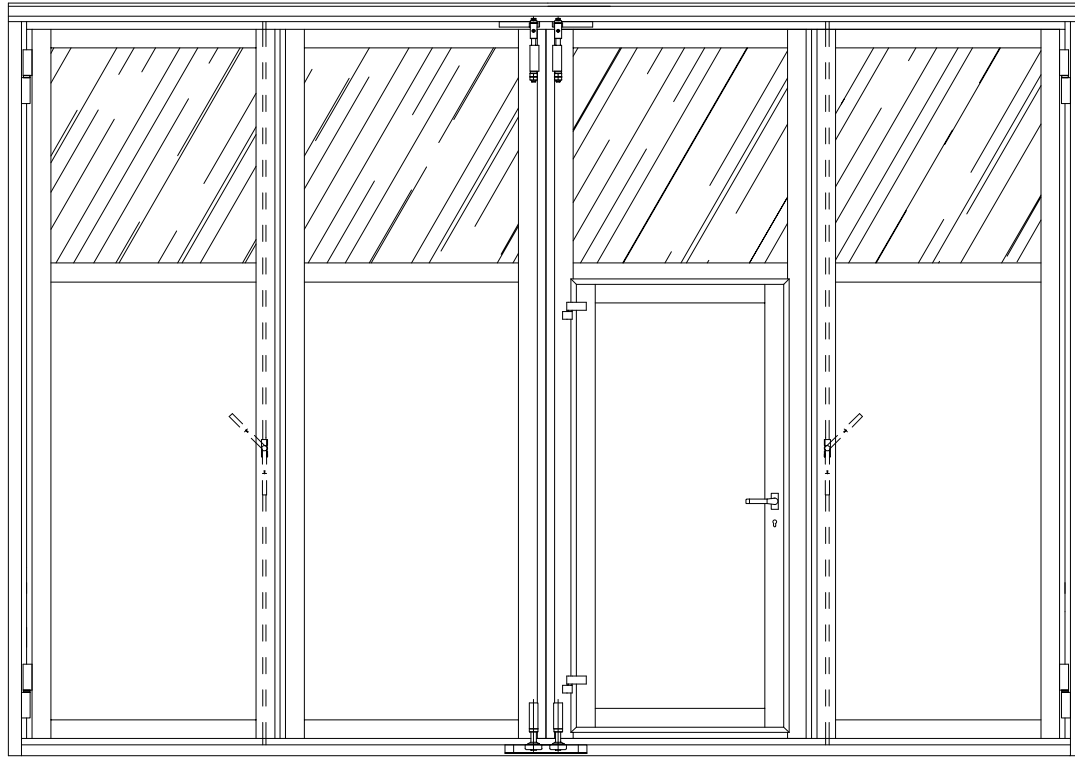
SCHNEIDER Torsysteme Ges.m.b.H.  
Kalzitstrasse 1  
A-4611 Buchkirchen  
Tel. +43 7243/545 88-0  
Web. [www.schneider.co.at](http://www.schneider.co.at)



Gültig ab 01.11.2023

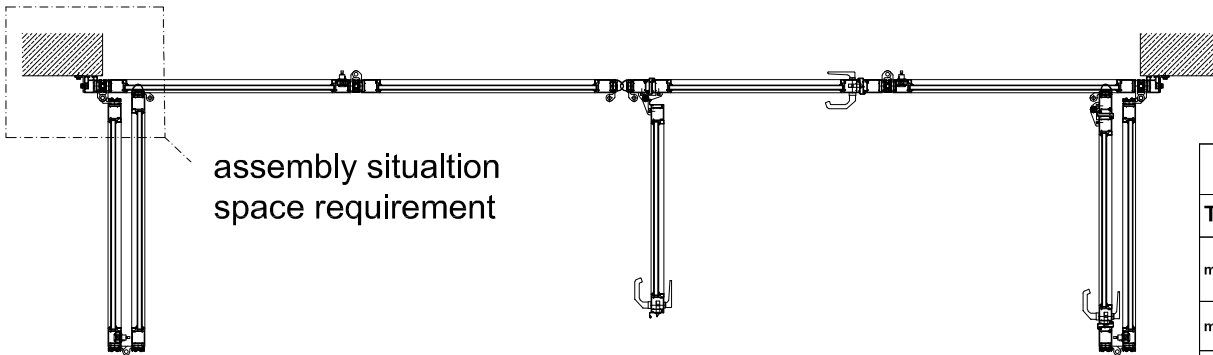
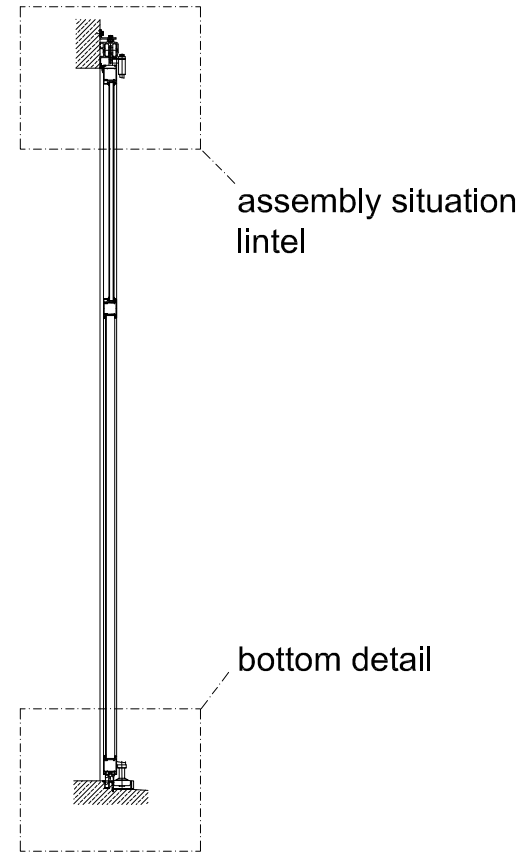
All previous documents are no longer valid. Subject to technical changes, printing and typesetting errors, colour deviations due to printing technology. Illustrations are symbolic.

# System drawing folding door AL601F 2.0, AL602F, AL603F, ST602F



horizontal cut

vertical cut

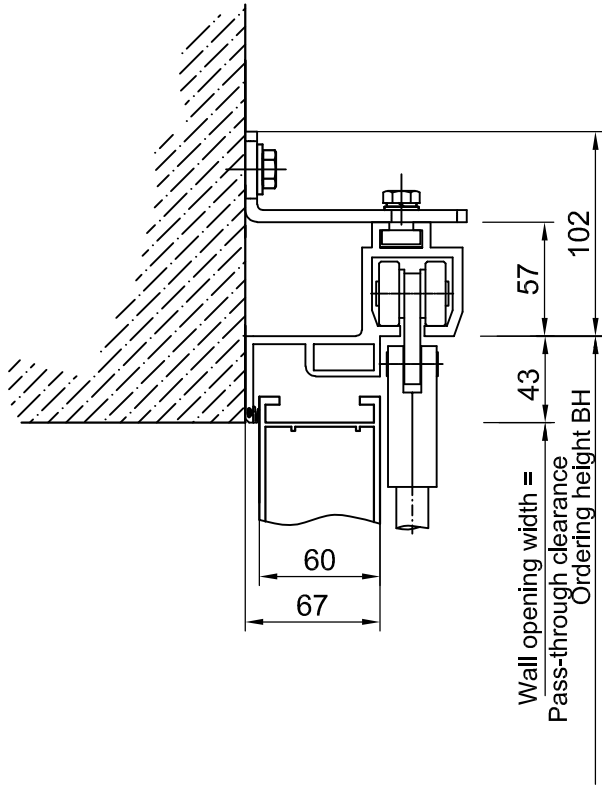


folding door size ranges				
Type	AL601F 2.0	AL602F	AL603F	ST602F ST602SF
material	aluminium	aluminium	aluminium thermally separated	steel
maximum door size	10400x4800 mm	15600x5600 mm	15600x5600 mm	15600x7000 mm
maximum wing width	1300 mm	1300 mm	1300 mm	1300 mm

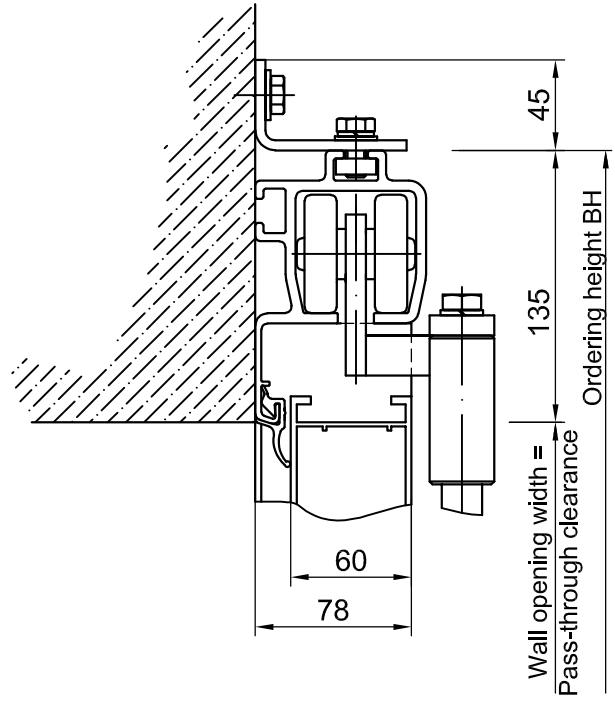


# assembly situation infront / behind the reveal IR/BR

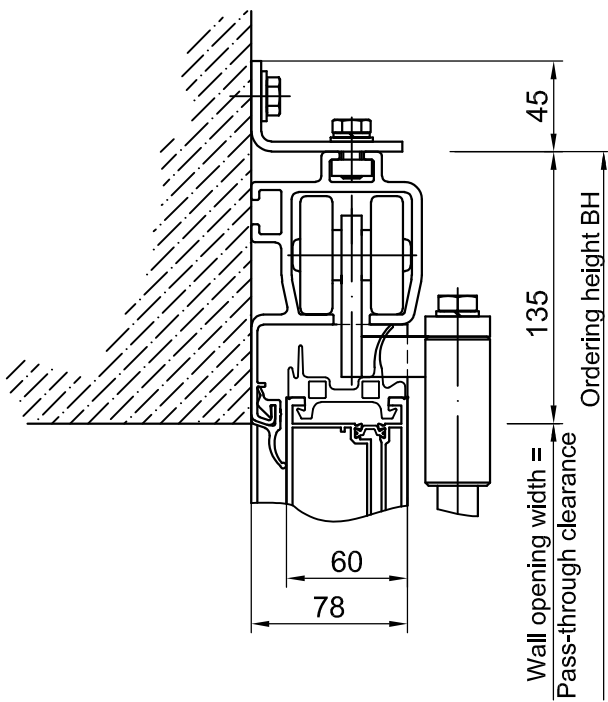
AL601F 2.0



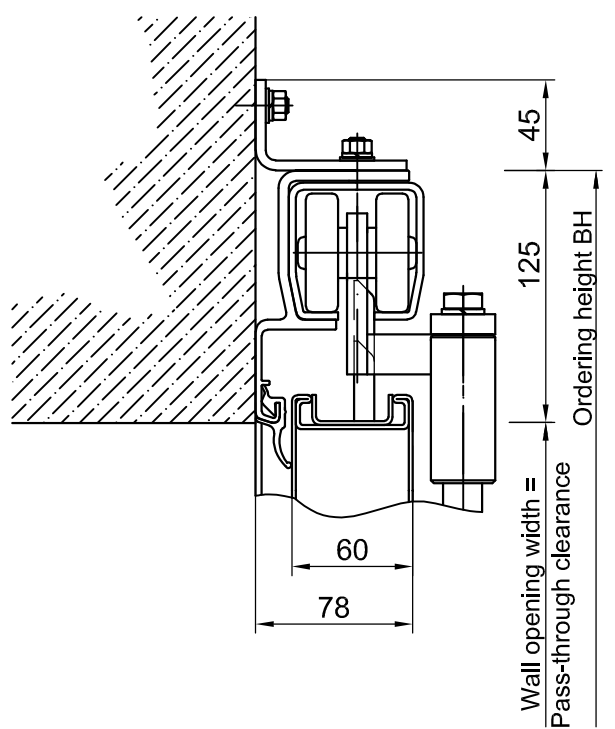
AL602F



AL603F

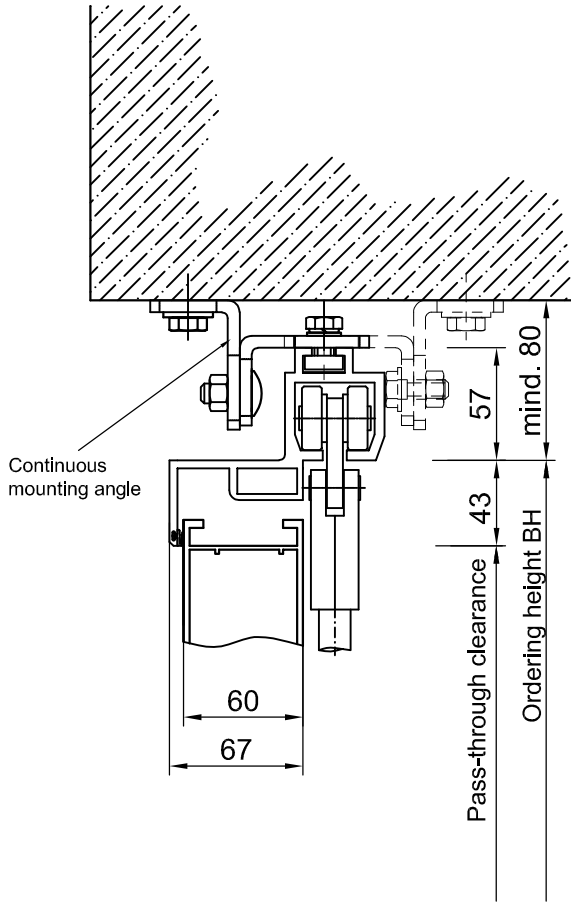


ST602F

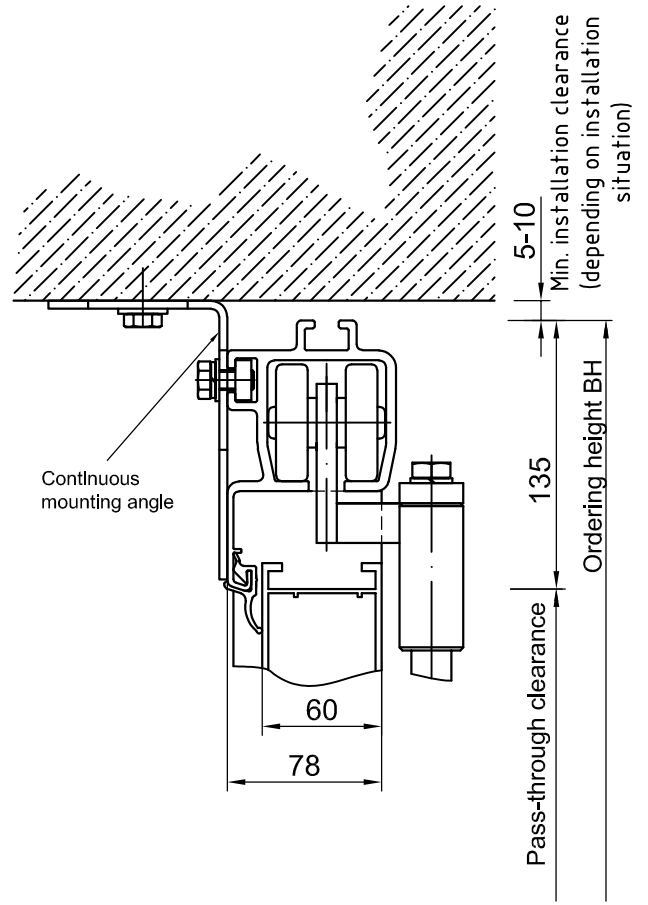


# assembly situation in the reveal

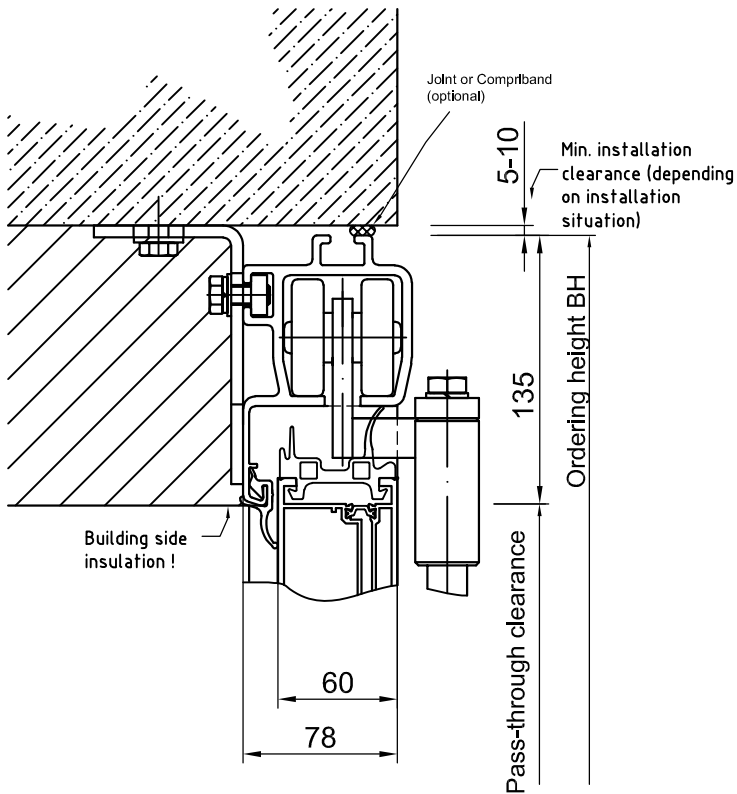
AL601F 2.0



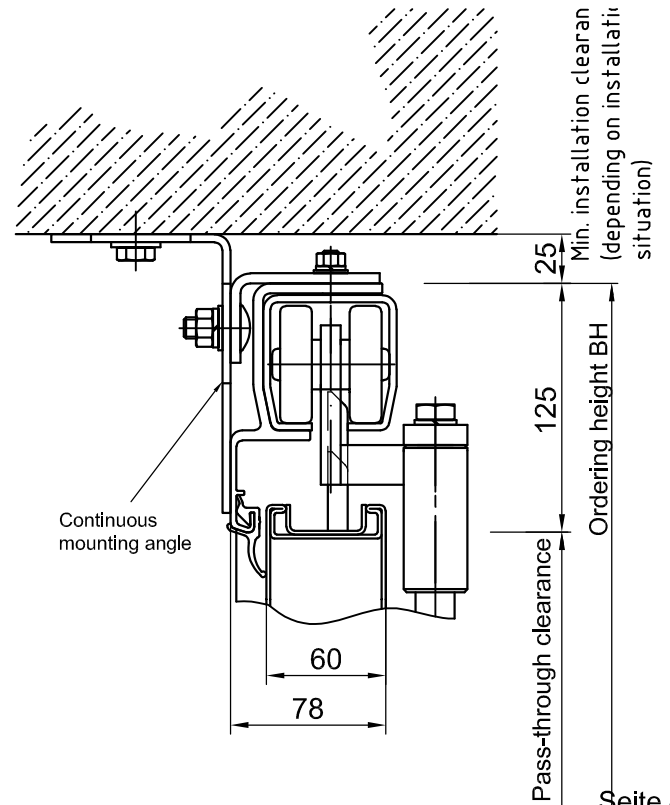
AL602F



AL603F

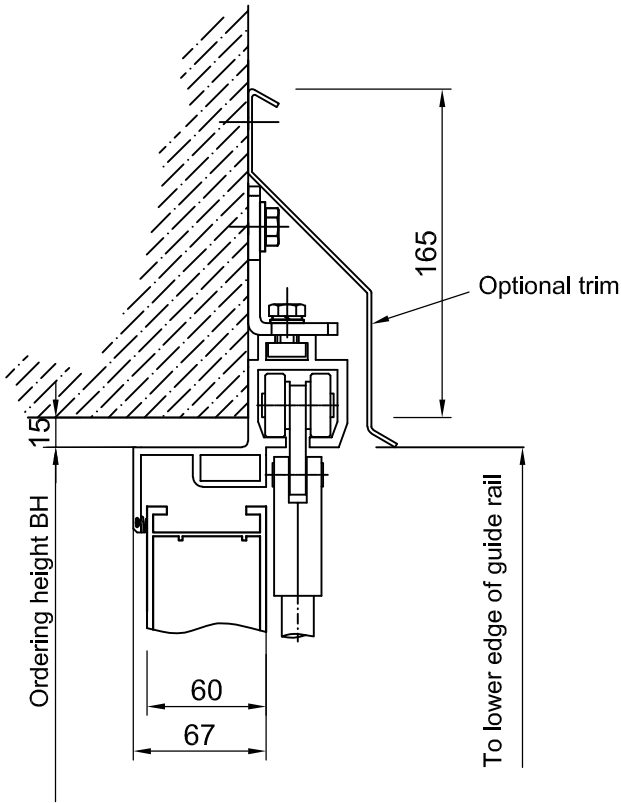


ST602F

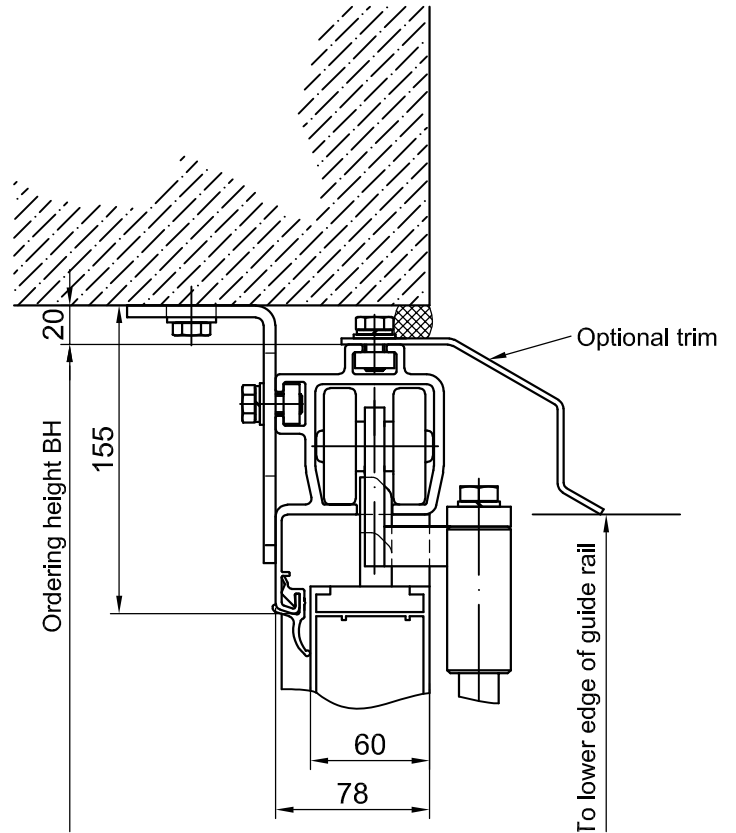


# assembly situation lintel Corner reveal

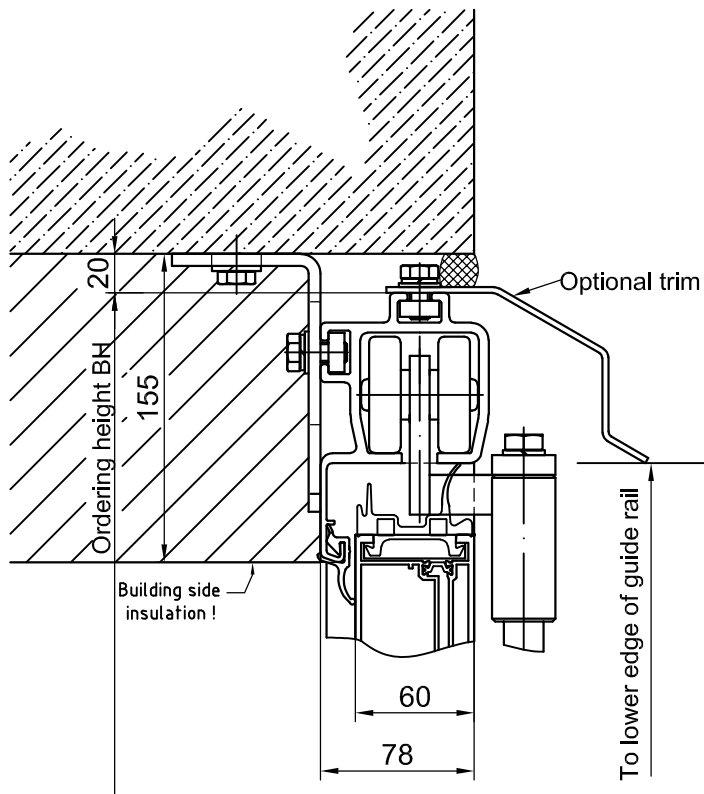
## AL601F 2.0



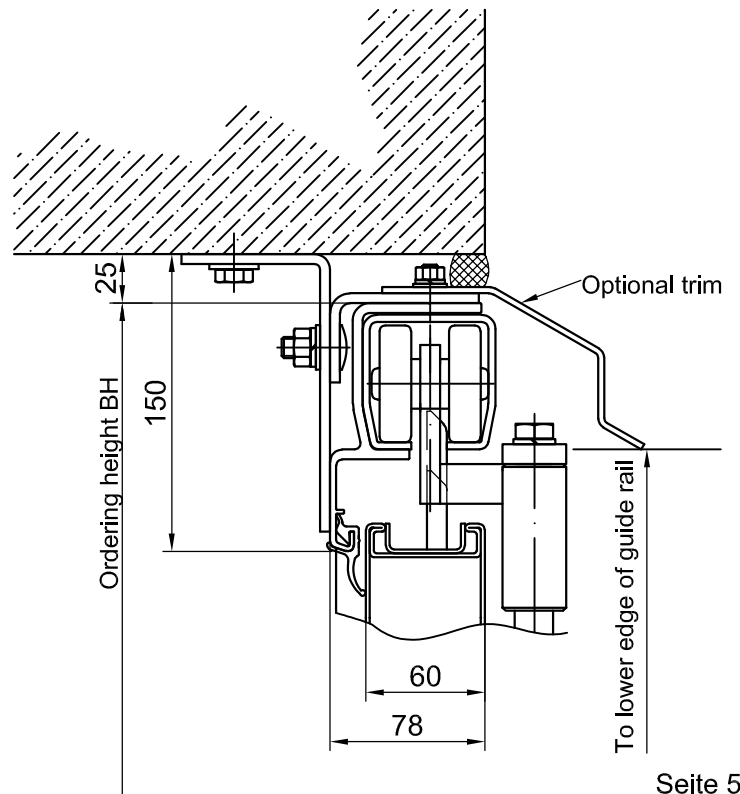
## AL602F



## AL603F



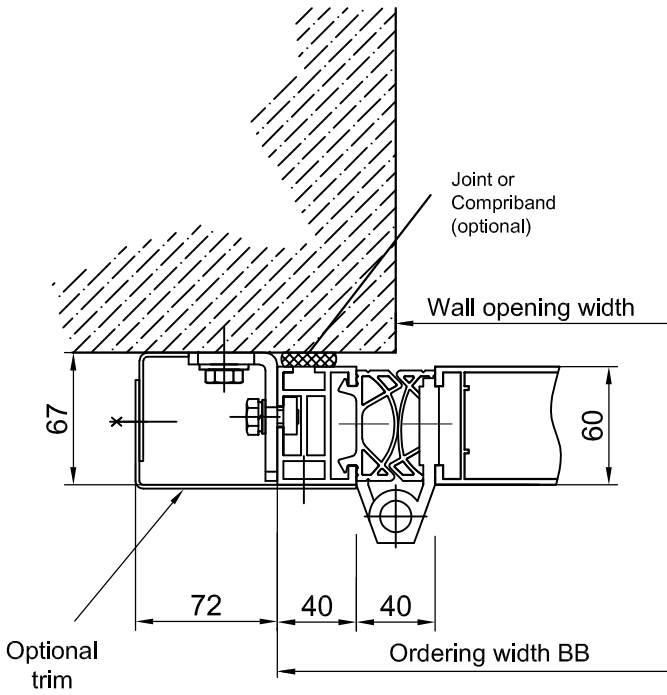
## ST602F



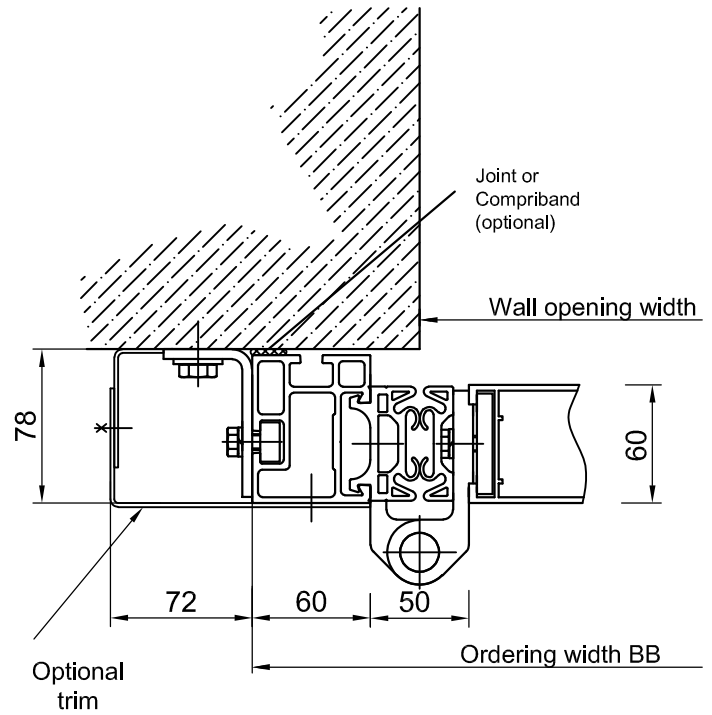
# assembly situation

## Visible in front of/behind reveal

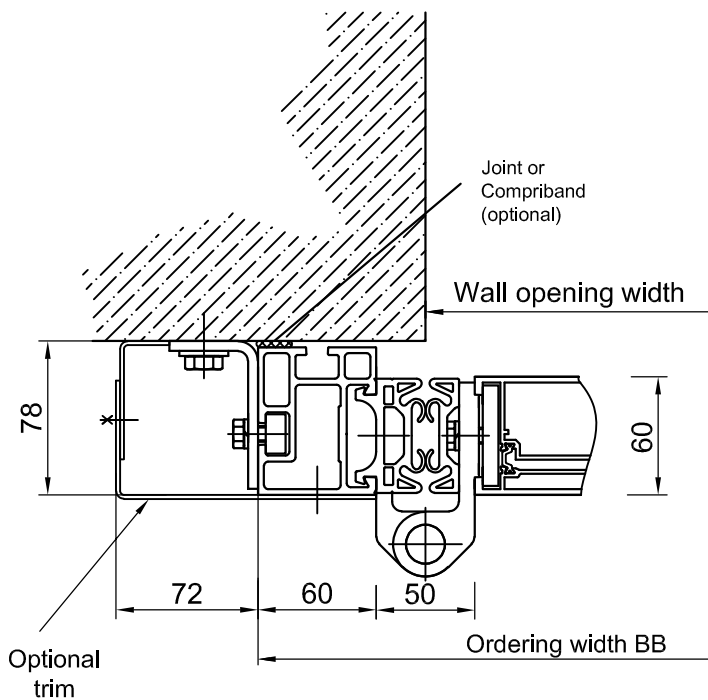
AL601F 2.0



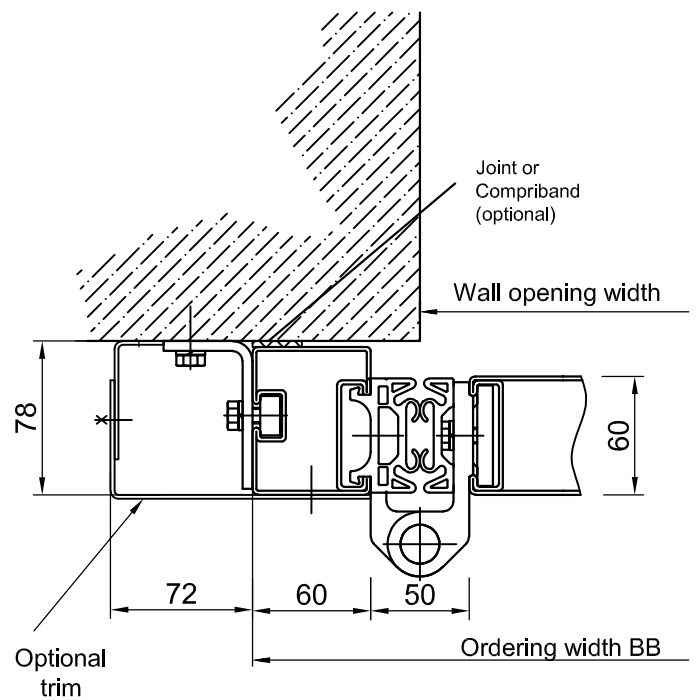
AL602F



AL603F



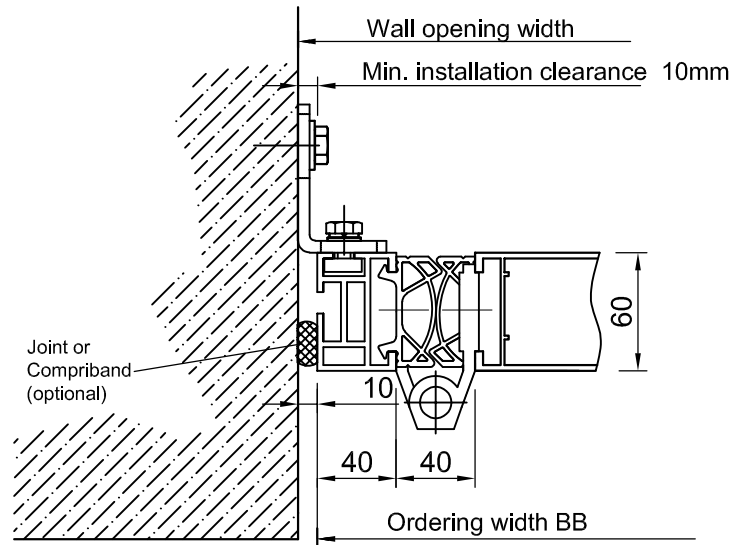
ST602F



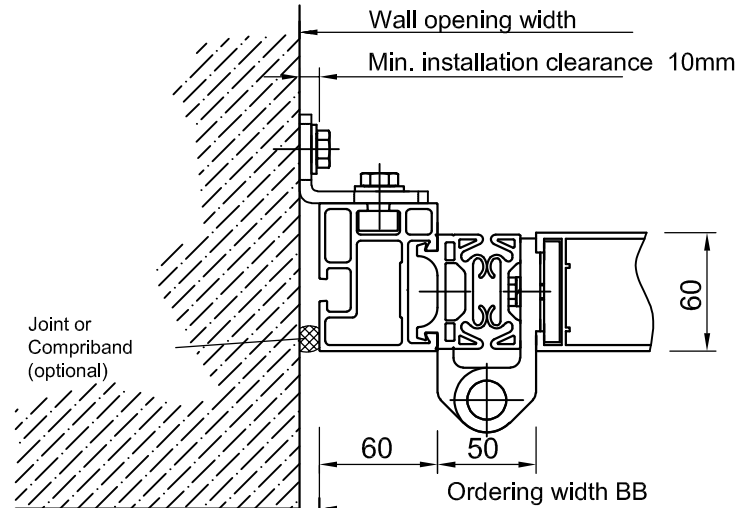
# assembly situation

## Visible in front of reveal

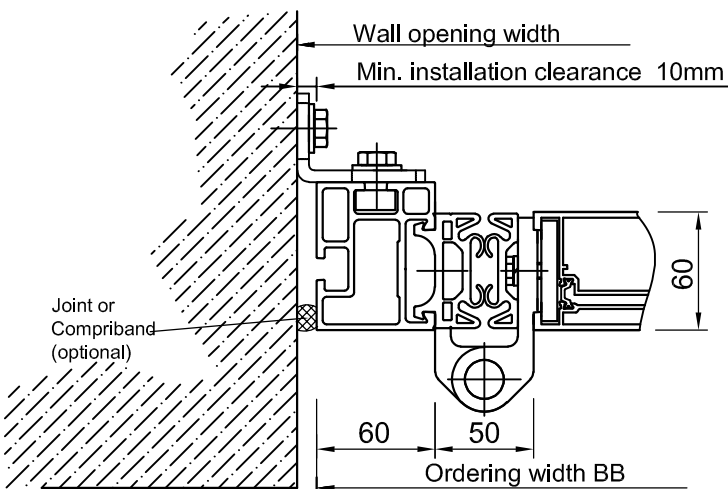
AL601F 2.0



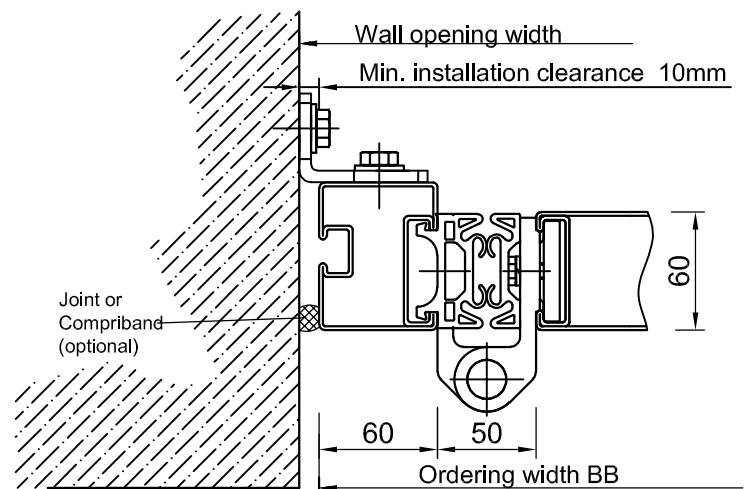
AL602F



AL603F



ST602F

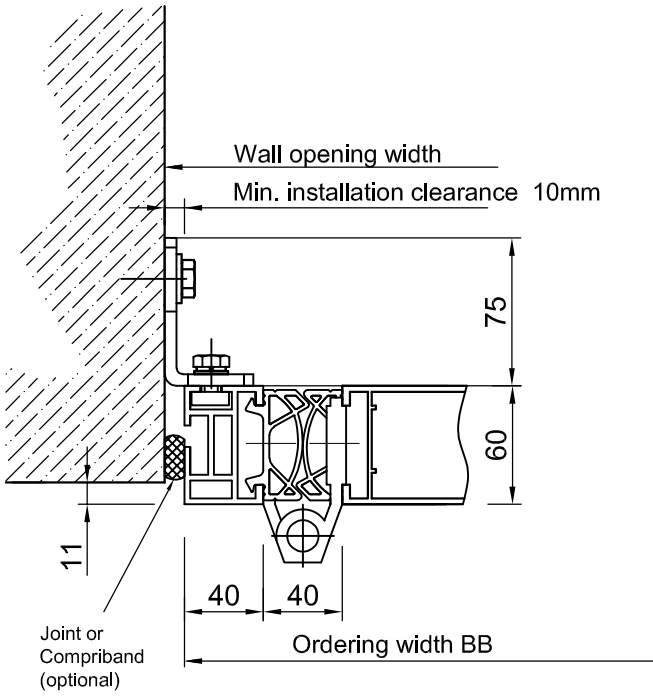




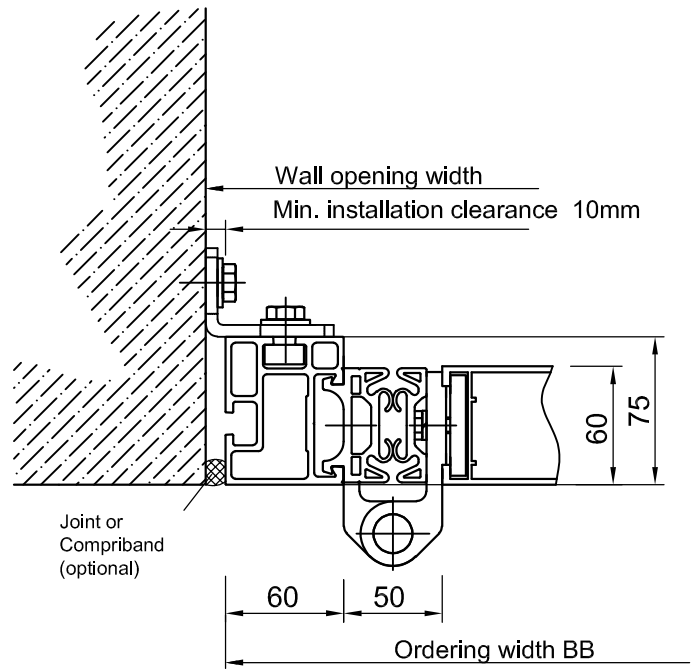
# assembly situation

## Side corner reveal

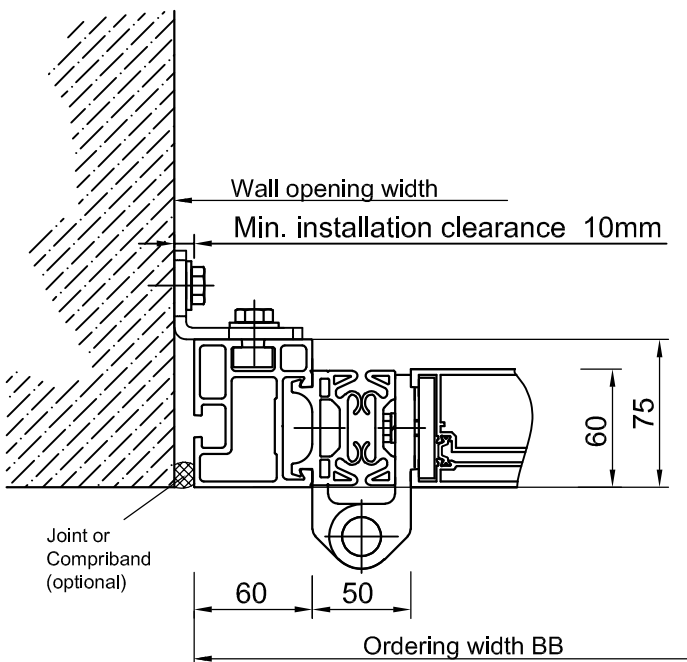
AL601F 2.0



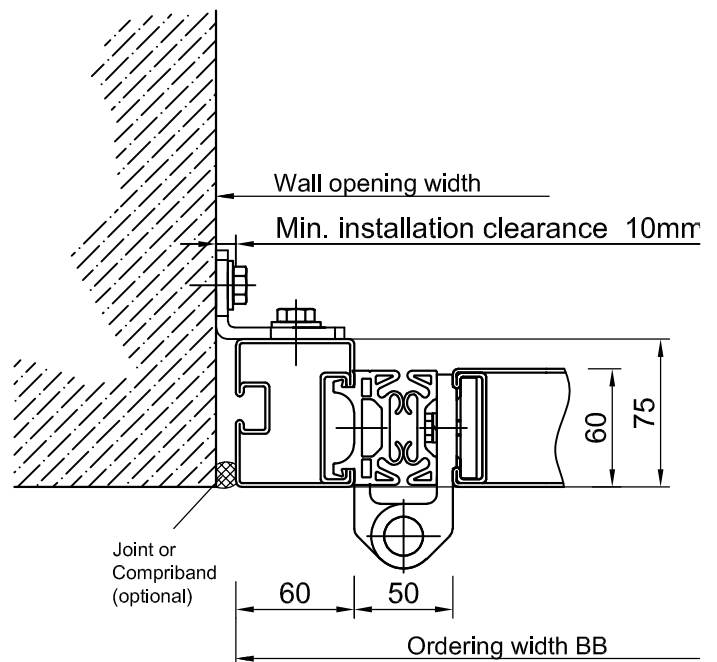
AL602F



AL603F



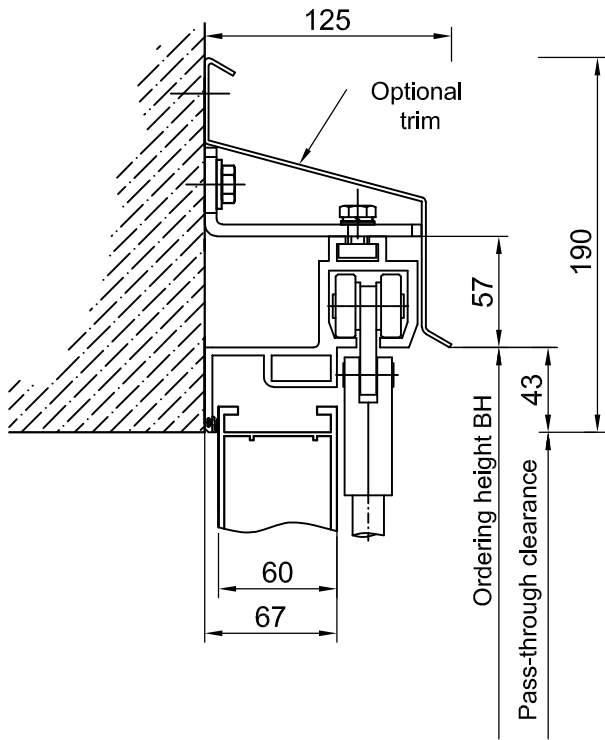
ST602F



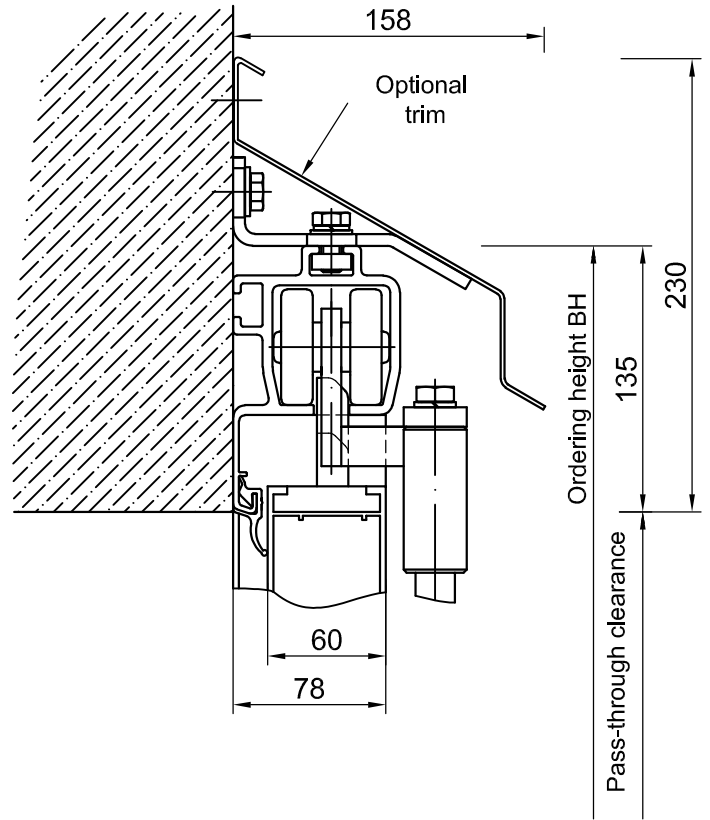
# 90° guide rail

## Lintel with trim in front of / behind reveal

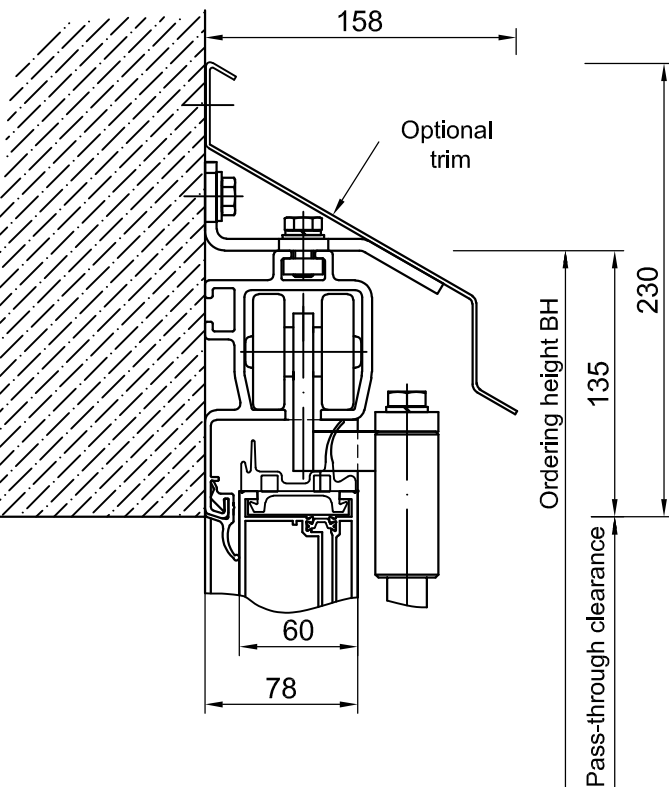
AL601F



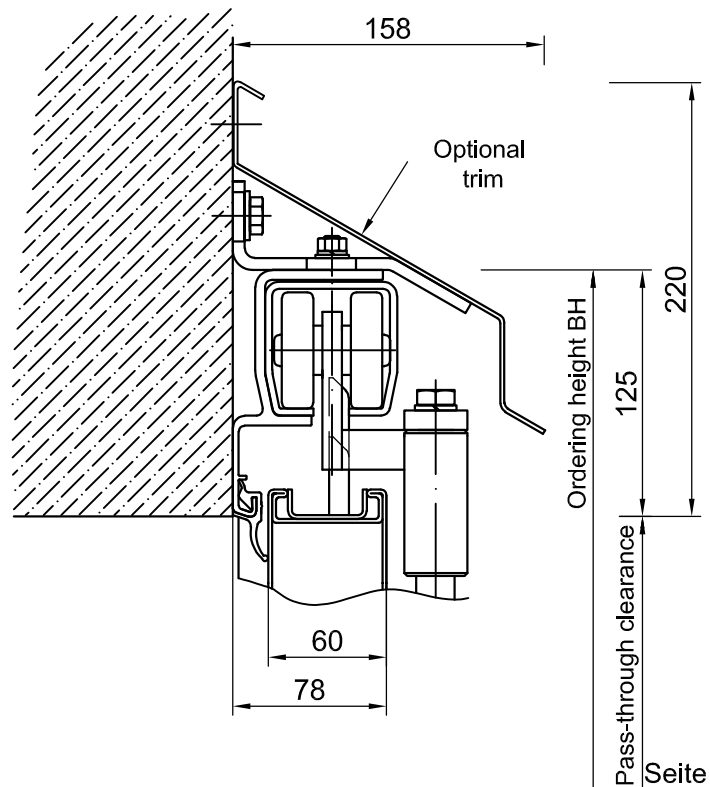
AL602F



AL603F



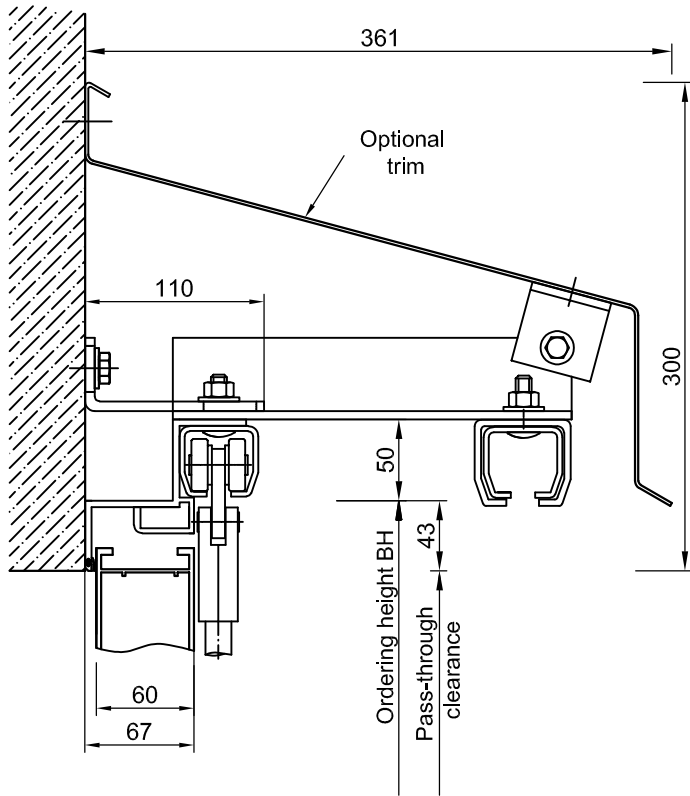
ST602F



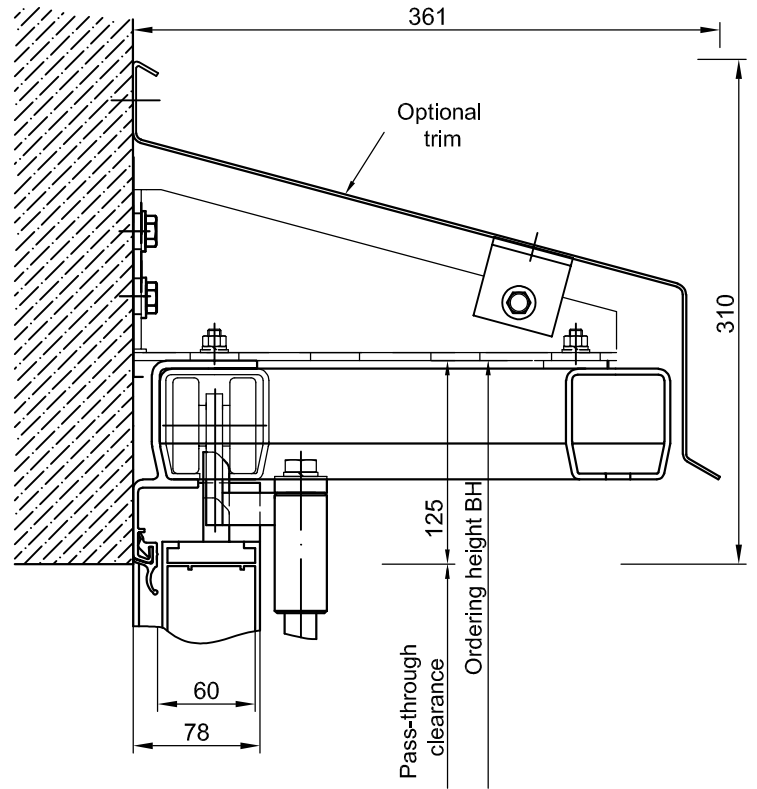
# 180° guide rail (No continuous floor guide possible)

## Lintel in front of / behind reveal

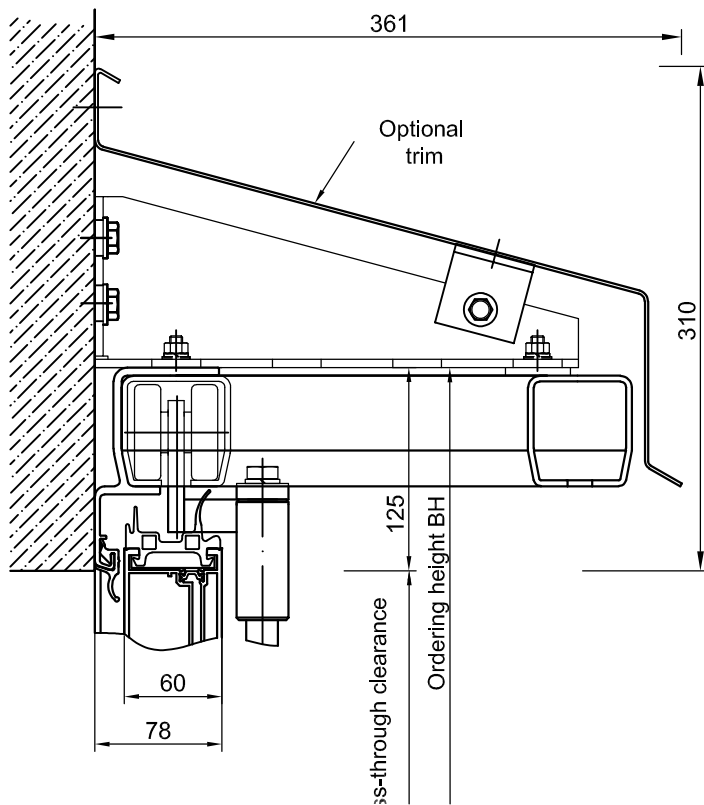
AL601F 2.0



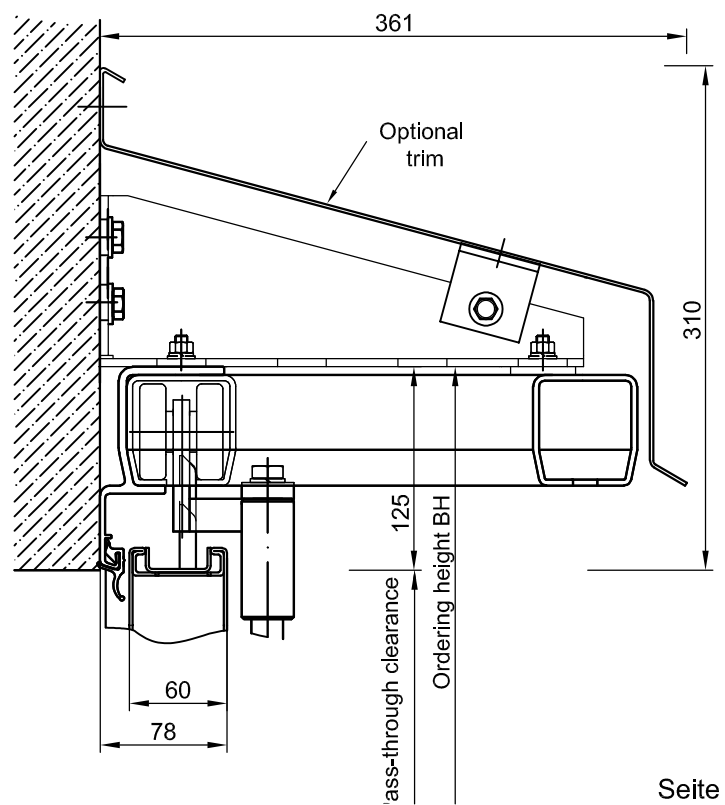
AL602F



AL603F

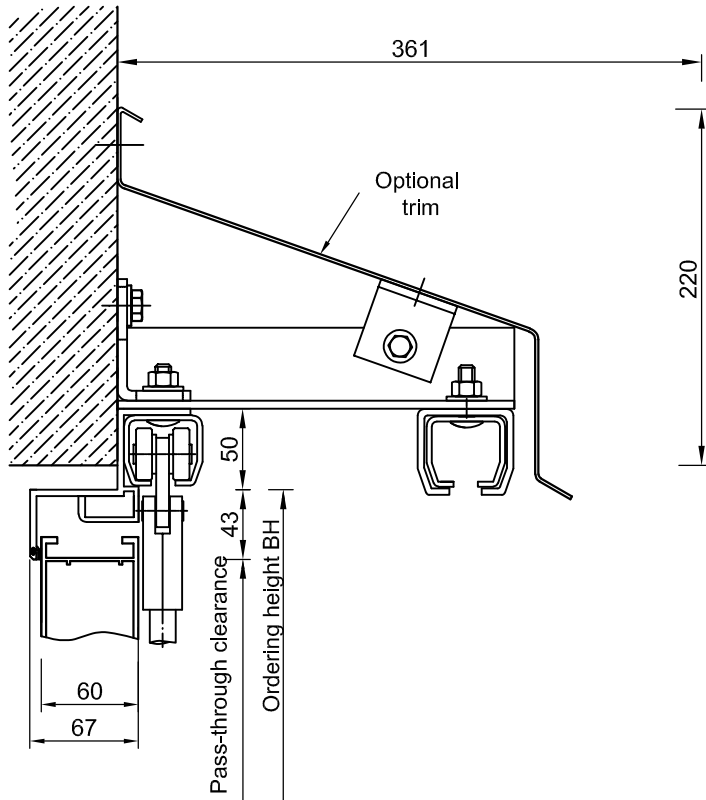


ST602F

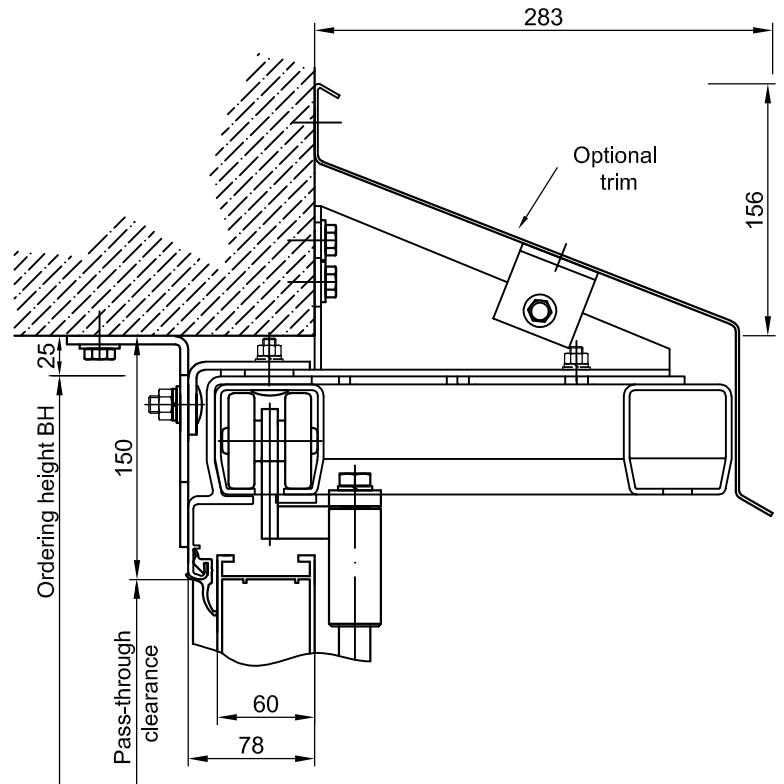


# 180° guide rail (No continuous floor guide possible) corner reveal with trim

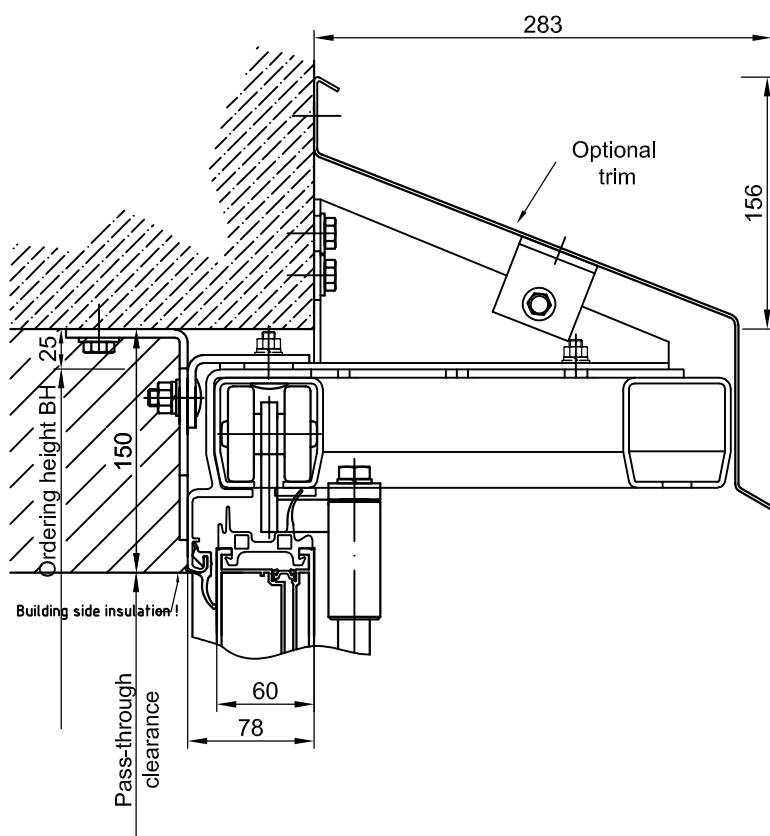
AL601F 2.0



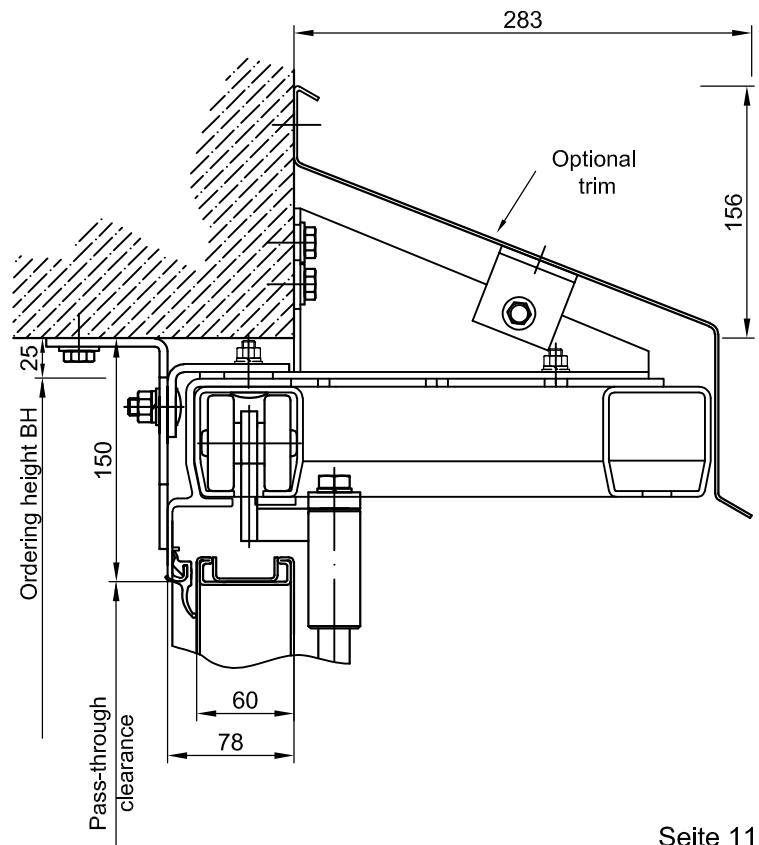
AL602F



AL603F



ST602F

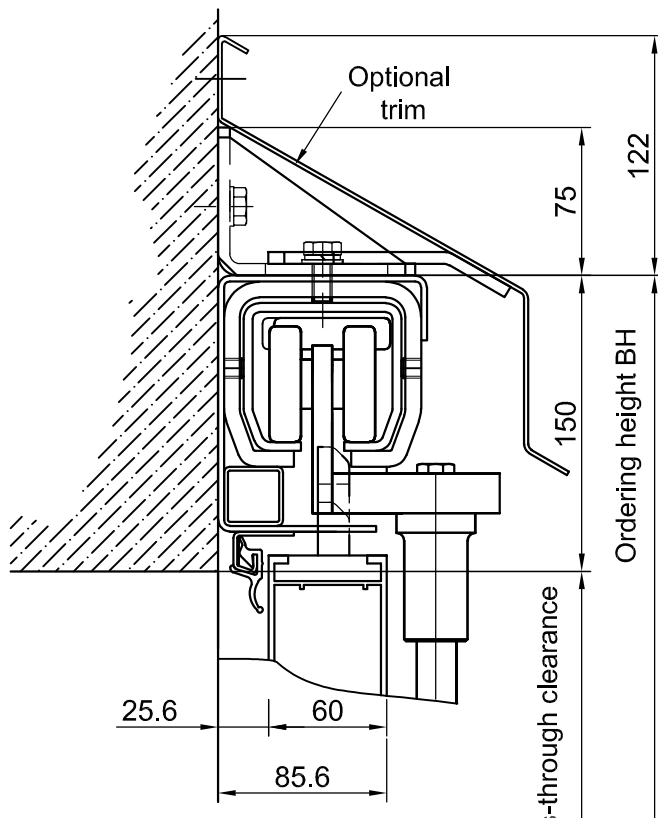


# assembly situation rail reinforced infront / behind the reveal IR/BR

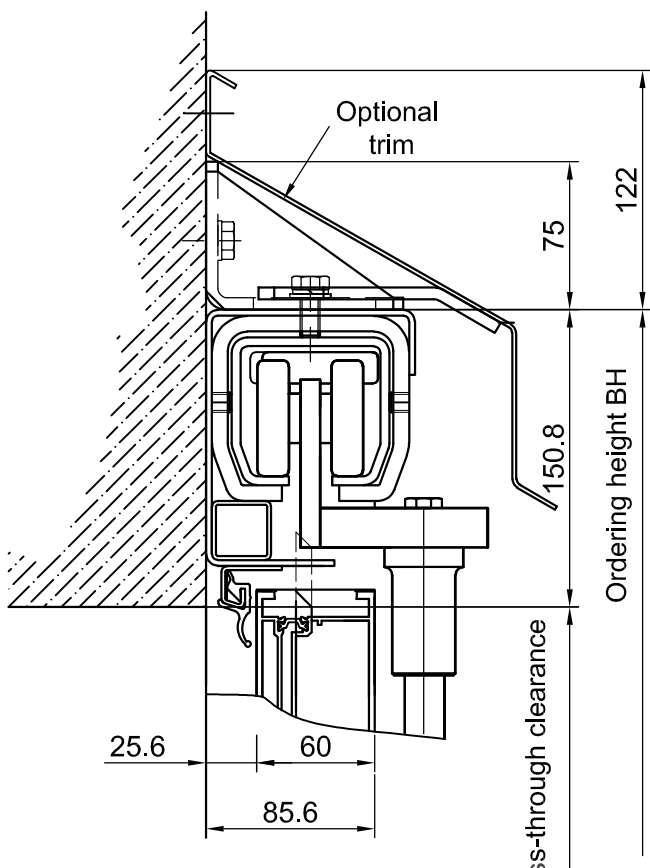
AL601F

not possible

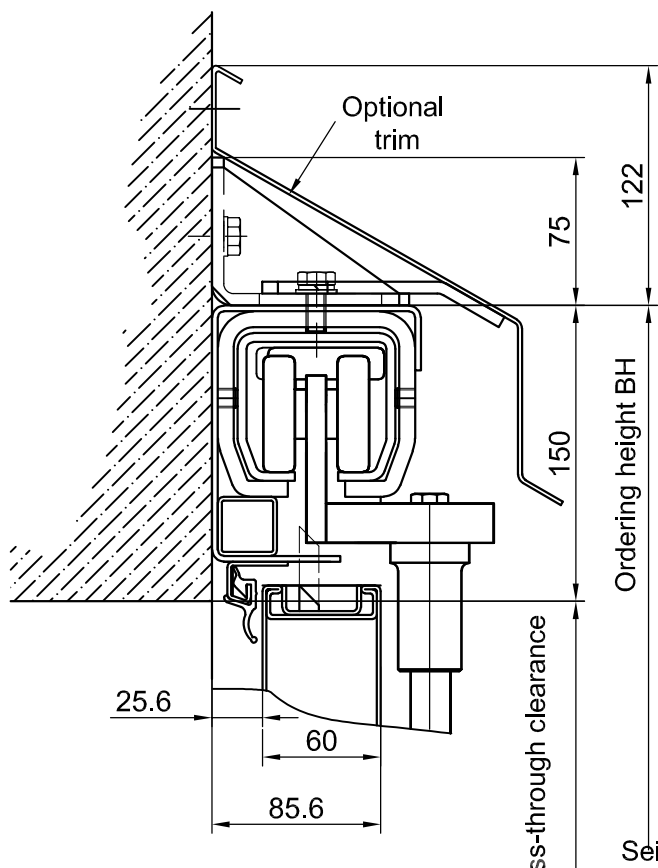
AL602F



AL603F



ST602F

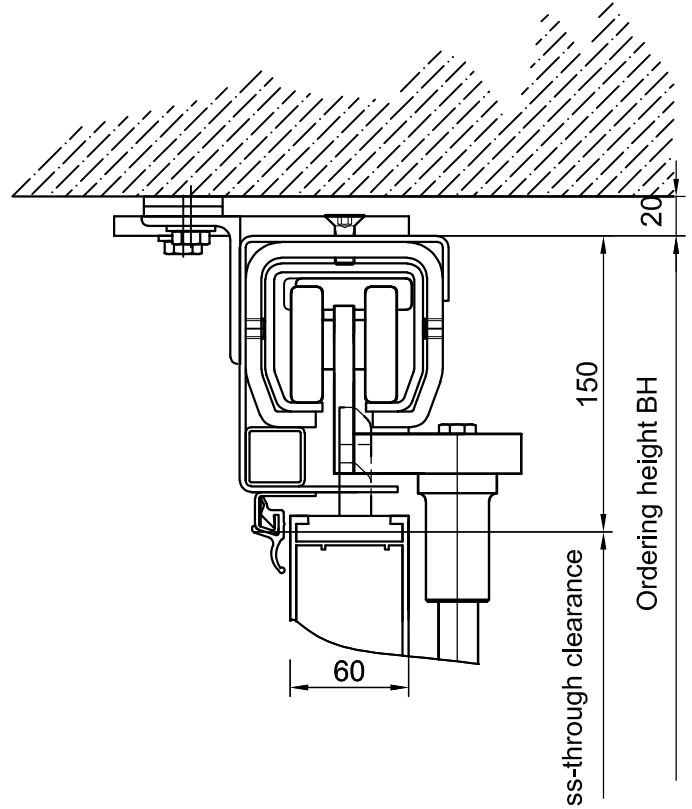


# assembly situation rail reinforced in the reveal

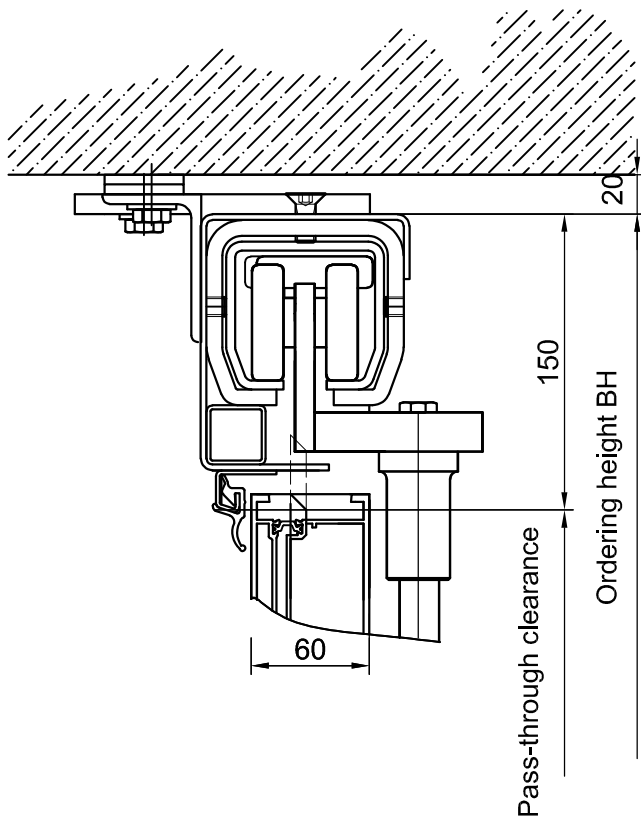
AL601F

not possible

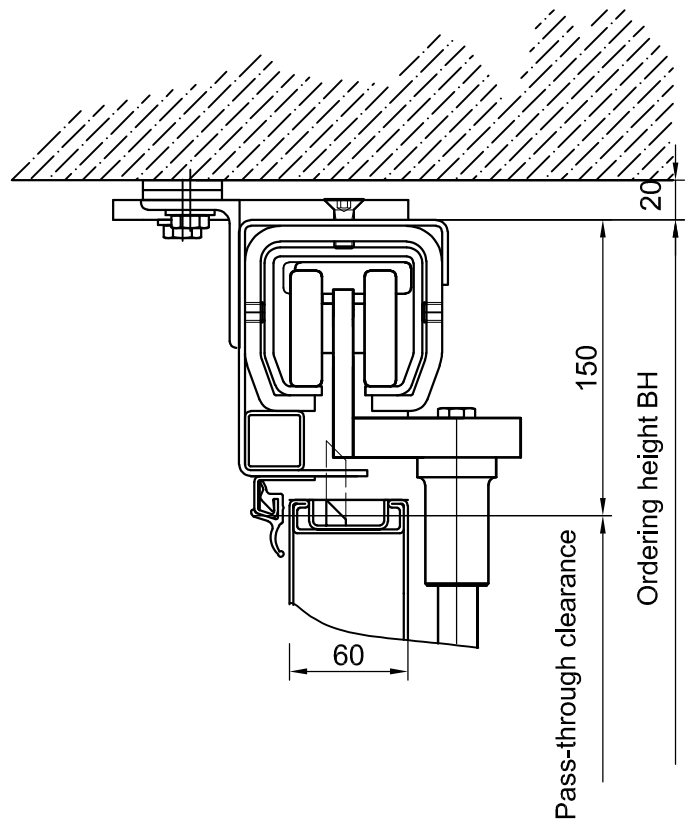
AL602F



AL603F



ST602F

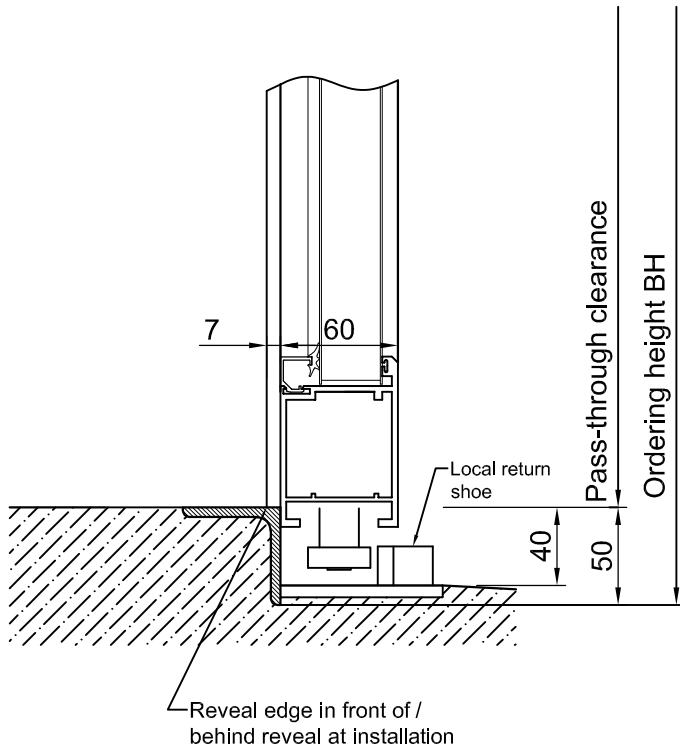


# bottom detail

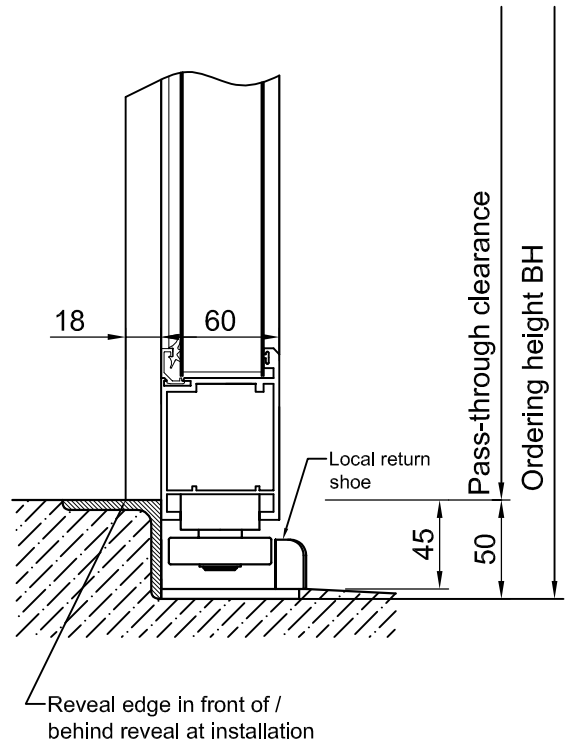
## Threshold stop angle L50

Caution: 5% gradient in opening direction

AL601F 2.0



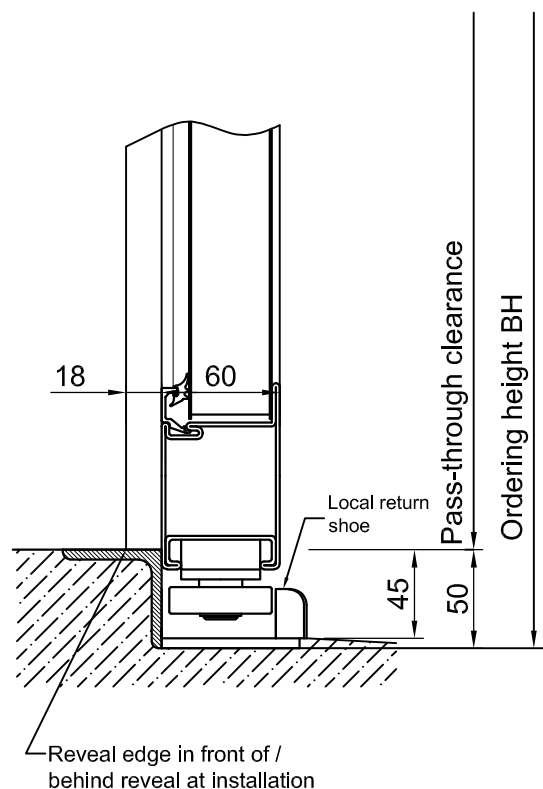
AL602F



AL603F

not possible

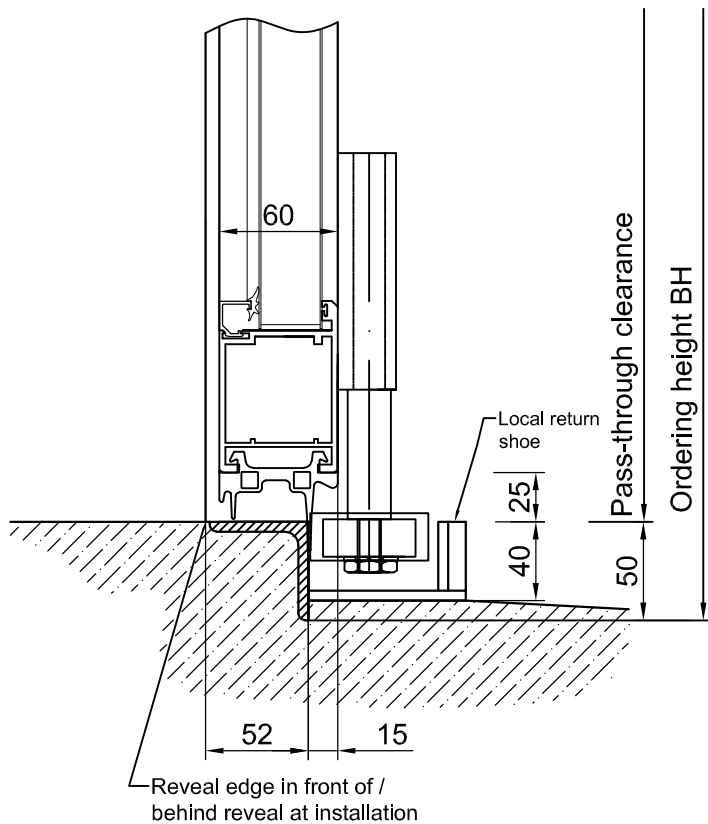
ST602F



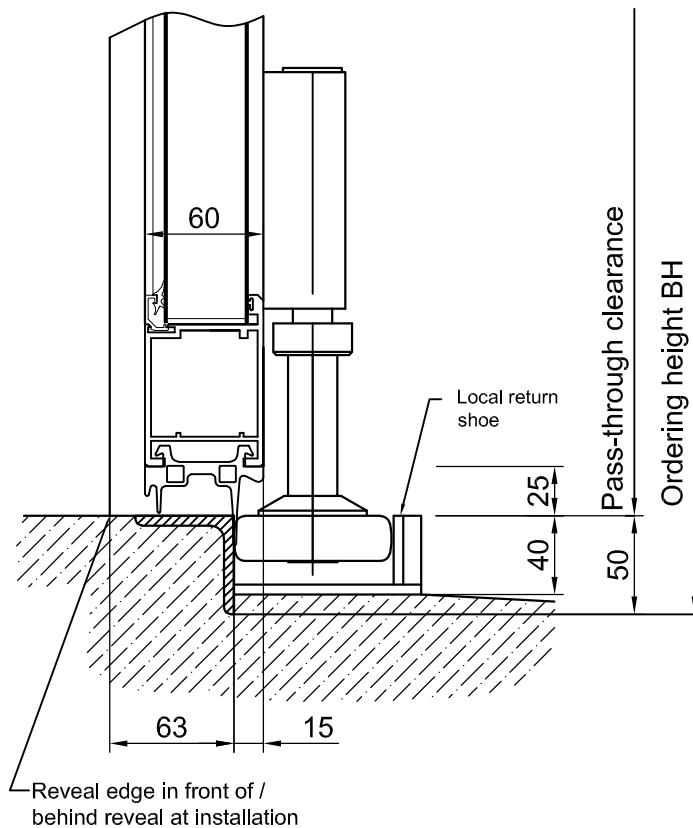
# bottom detail threshold L50D

Caution: 5% gradient in opening direction

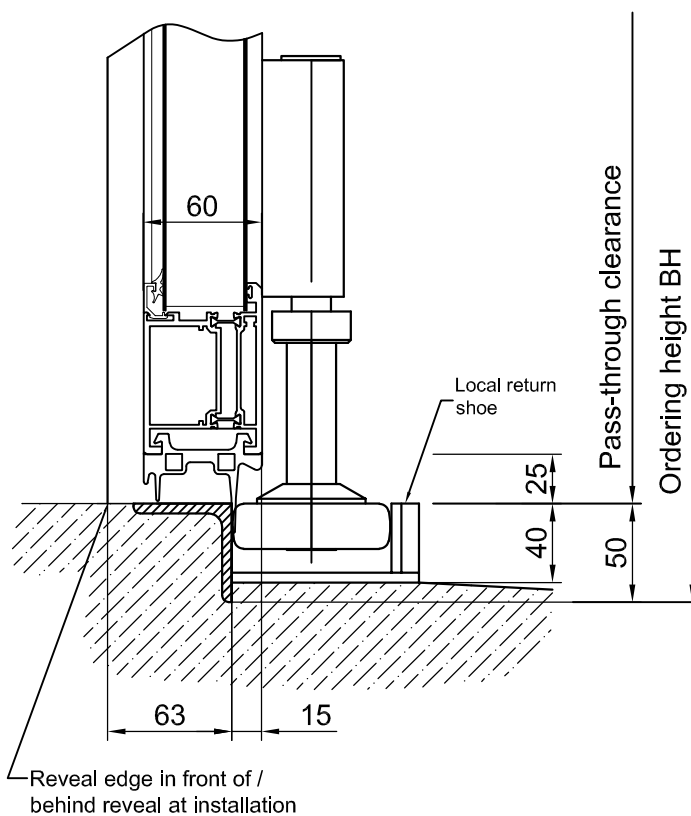
AL601F 2.0



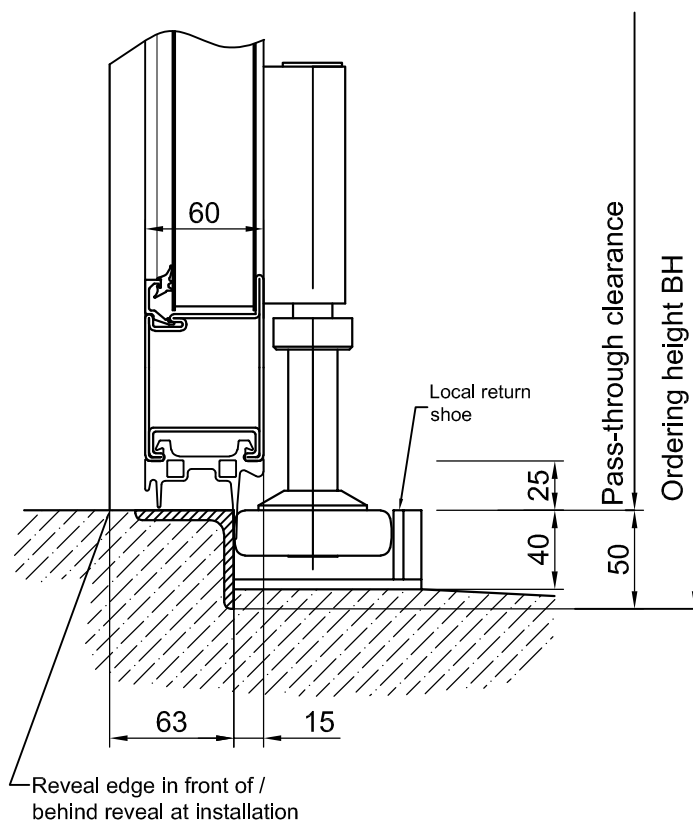
AL602F



AL603F



ST602F

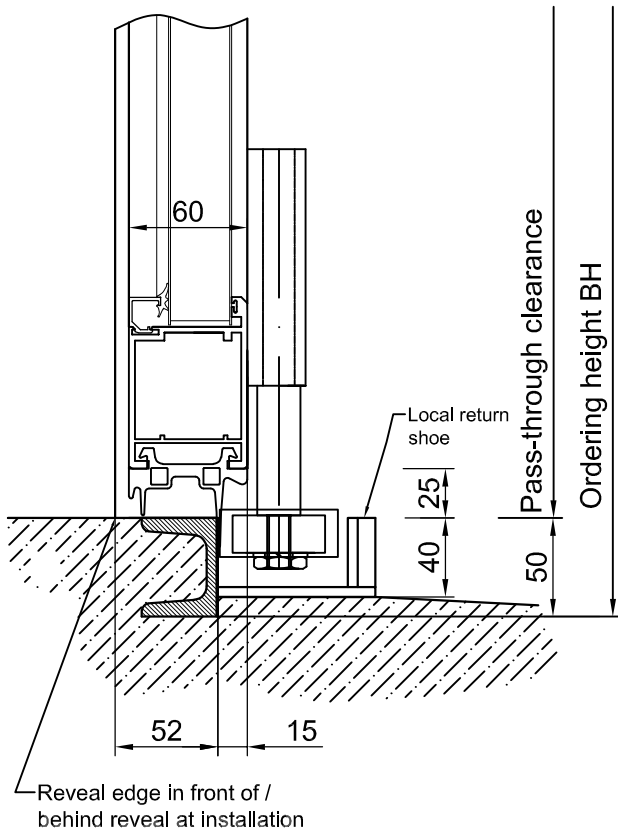




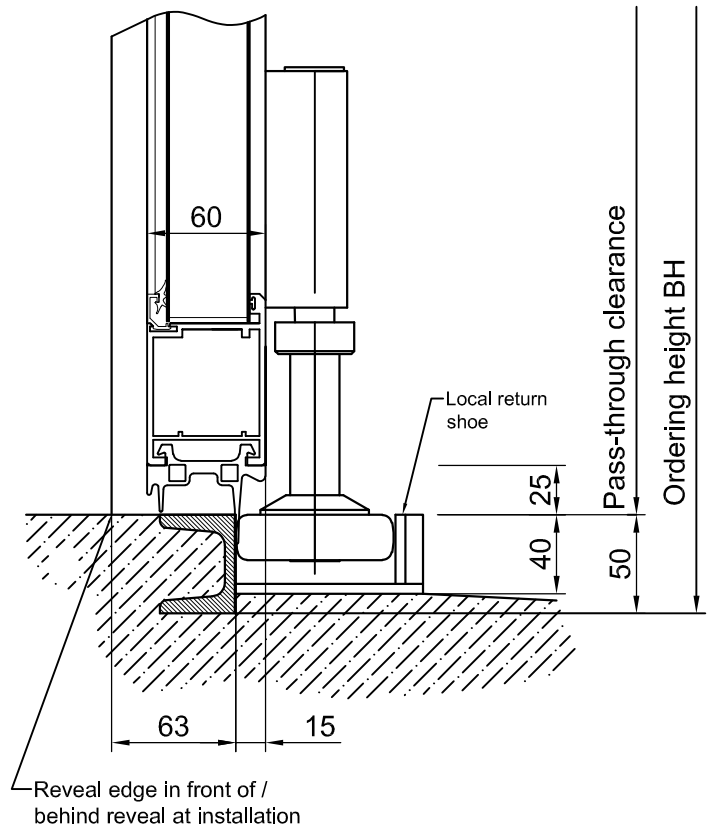
# bottom detail threshold U50D

Caution: 5% gradient in opening direction

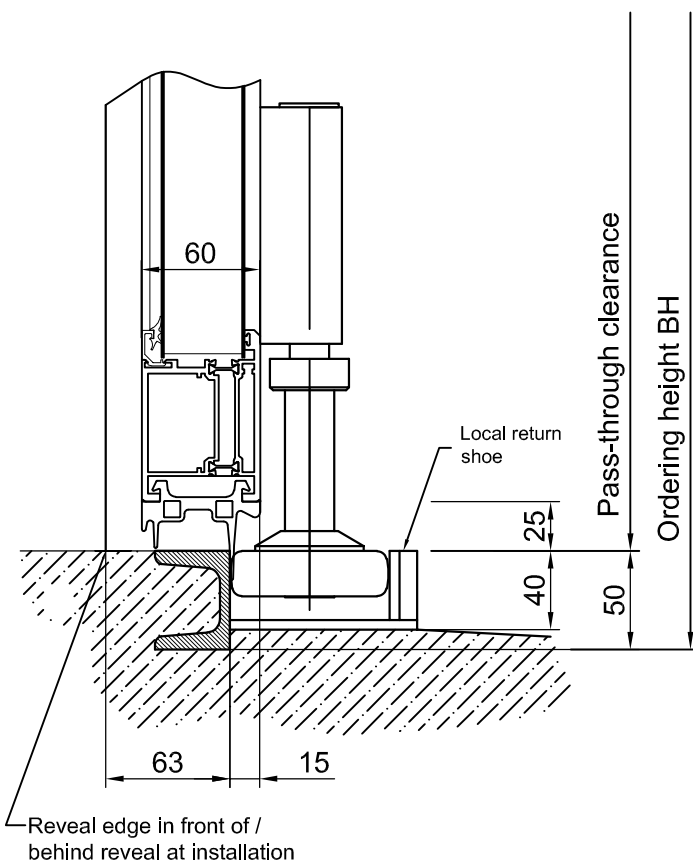
### AL601F 2.0



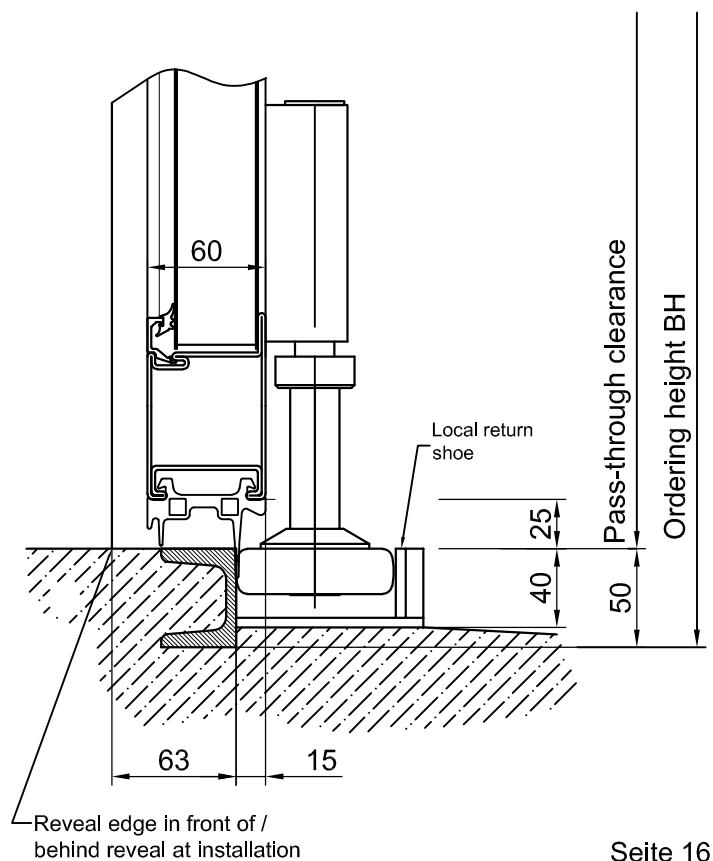
### AL602F



### AL603F



### ST602F



# bottom detail

## Threshold double stop DA

Caution: 5% gradient in opening direction

AL601F 2,0

AL602F

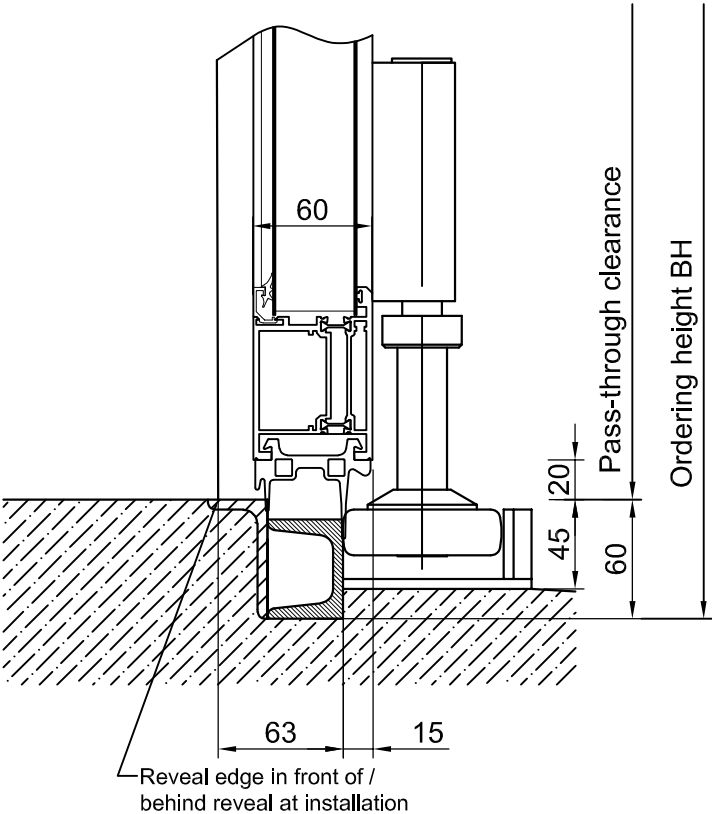
not possible

not possible

AL603F

ST602F

not possible

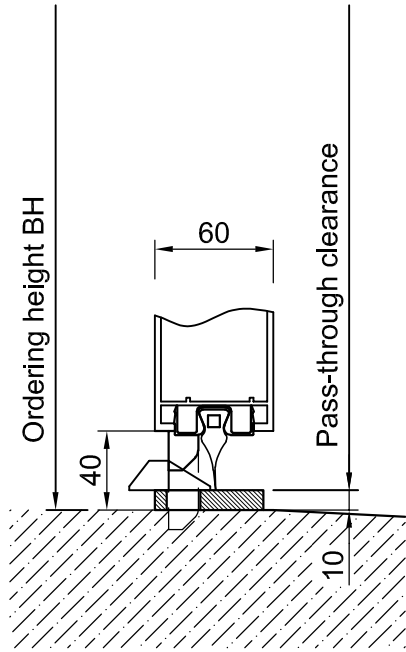


# bottom detail

## flat steel threshold S10D/S20D

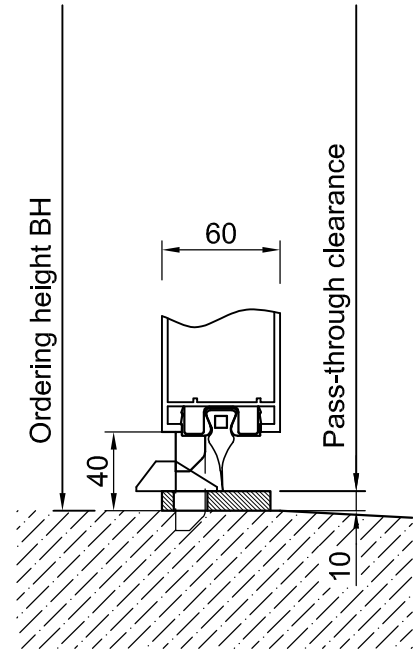
Caution: 5% gradient in opening direction

AL601F



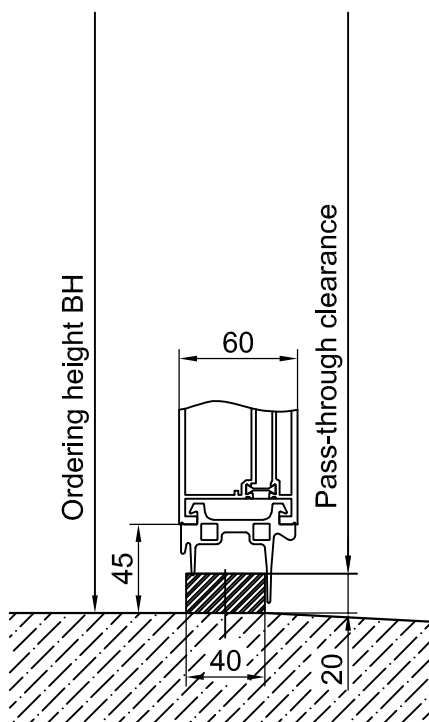
threshold S10D

AL602F



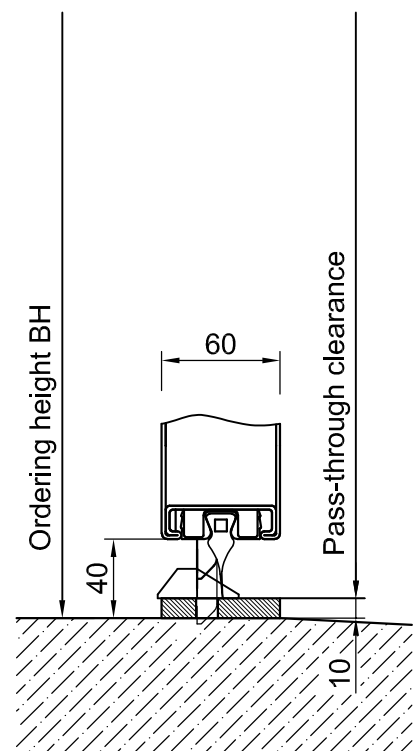
threshold S10D

AL603F



threshold S20D

ST602F



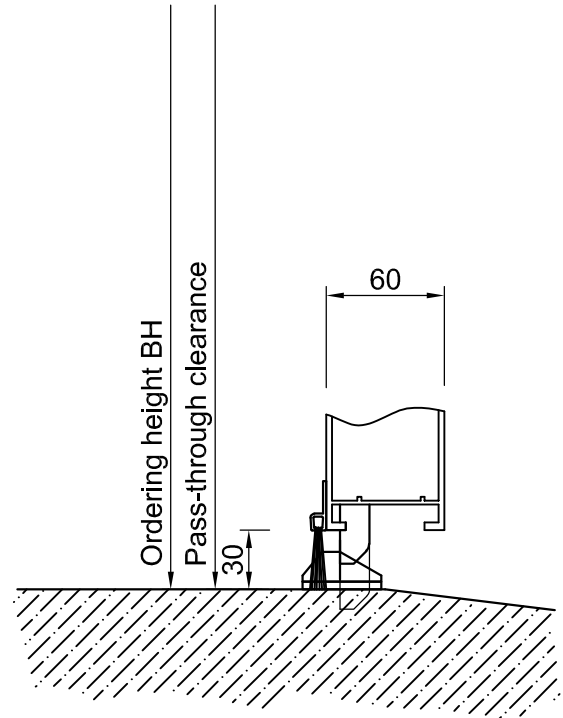
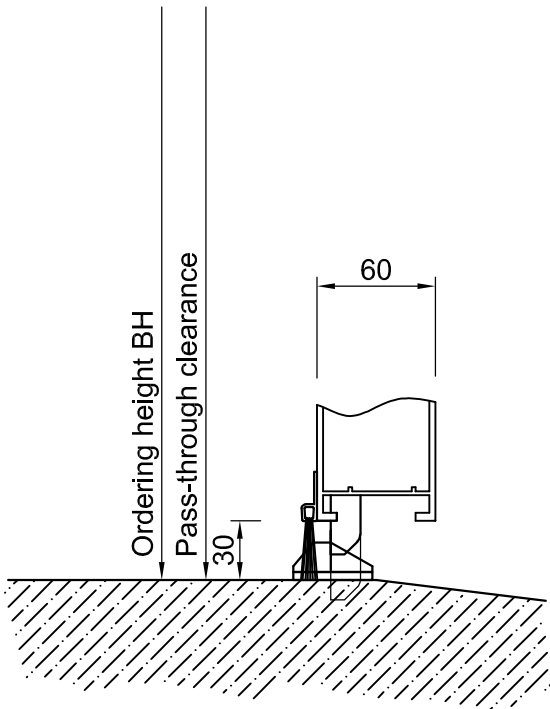
threshold S10D

# bottom detail thresholdless latch stop RA

Caution: 5% gradient in opening direction

AL601F 2.0

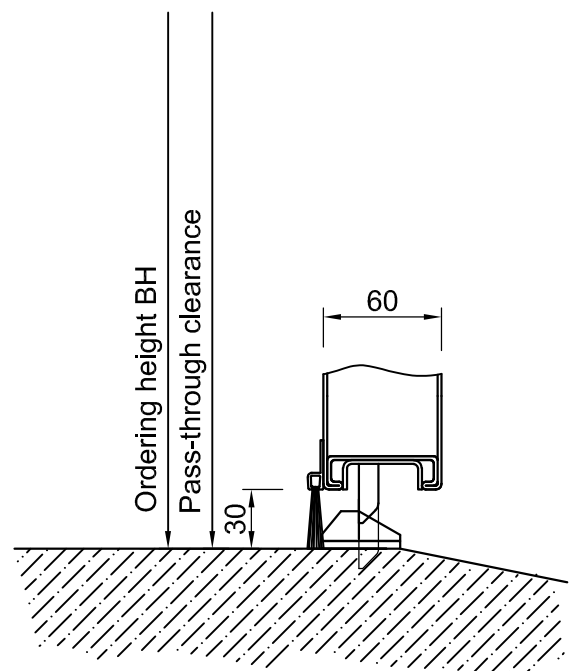
AL602F



AL603F

ST602F

not possible



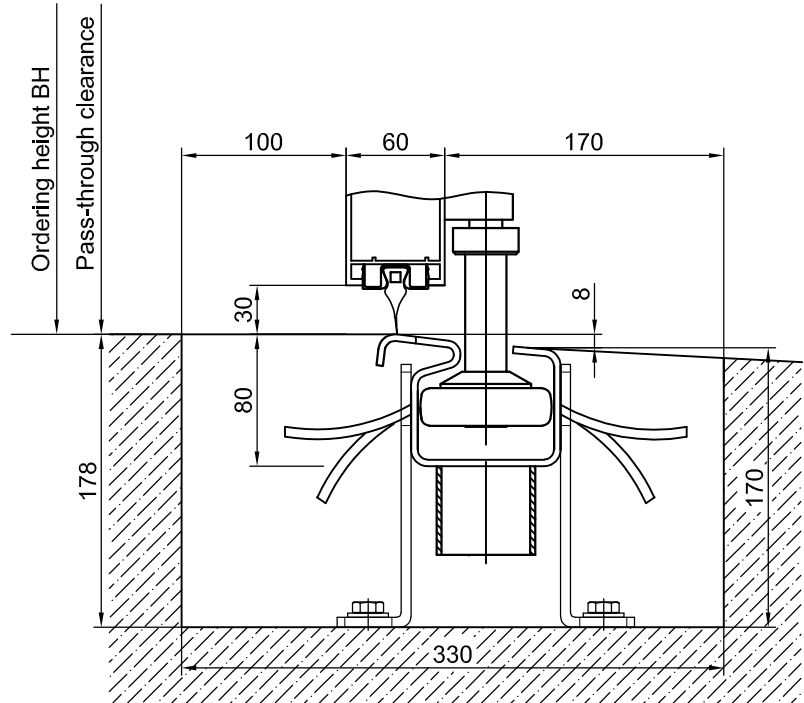
# bottom detail Floor guide BF

Caution: 5% gradient in opening direction

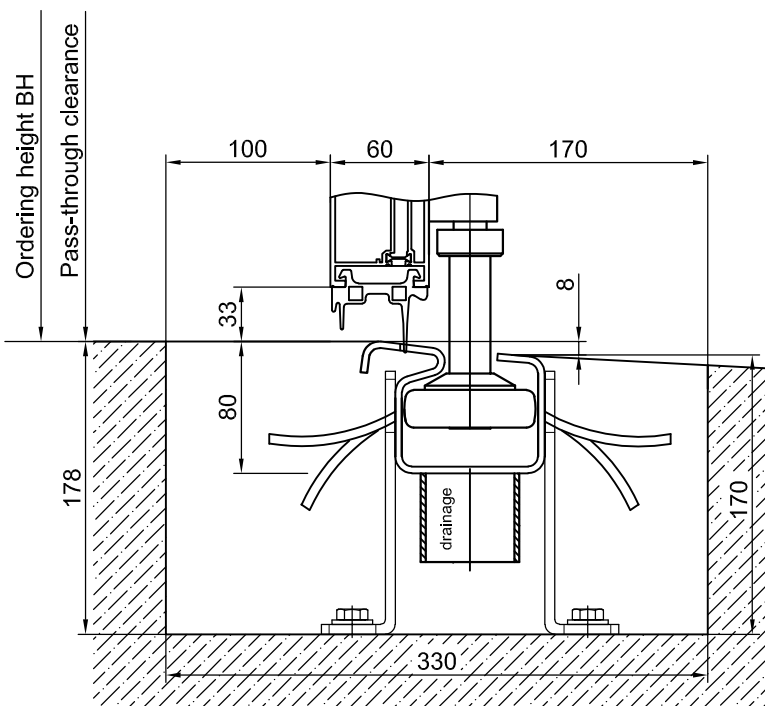
AL601F 2.0

not possible

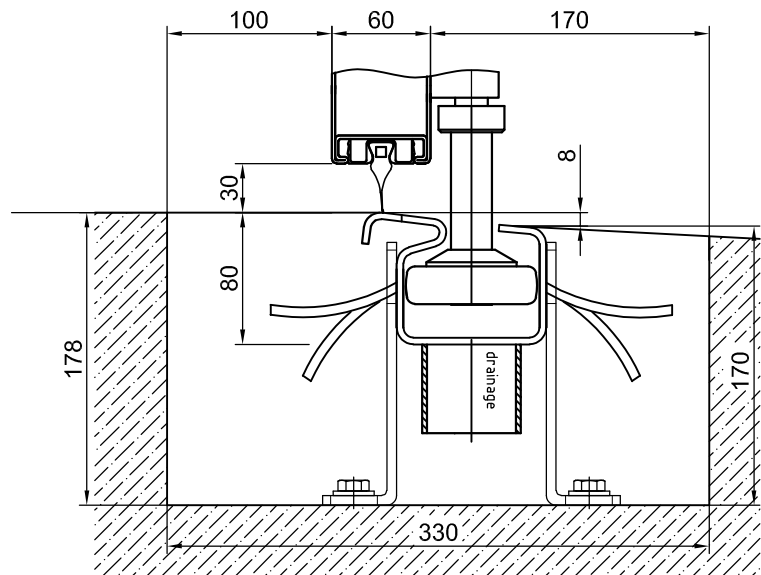
AL602F



AL603F



ST602F



# bottom detail

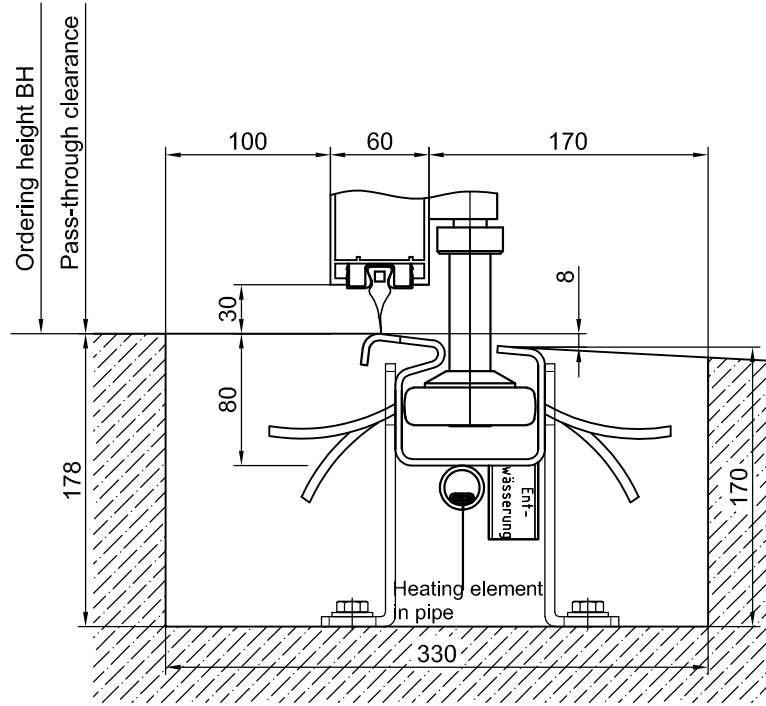
## Floor guide, heated BF bhz.

Caution: 5% gradient in opening direction

AL601F 2.0

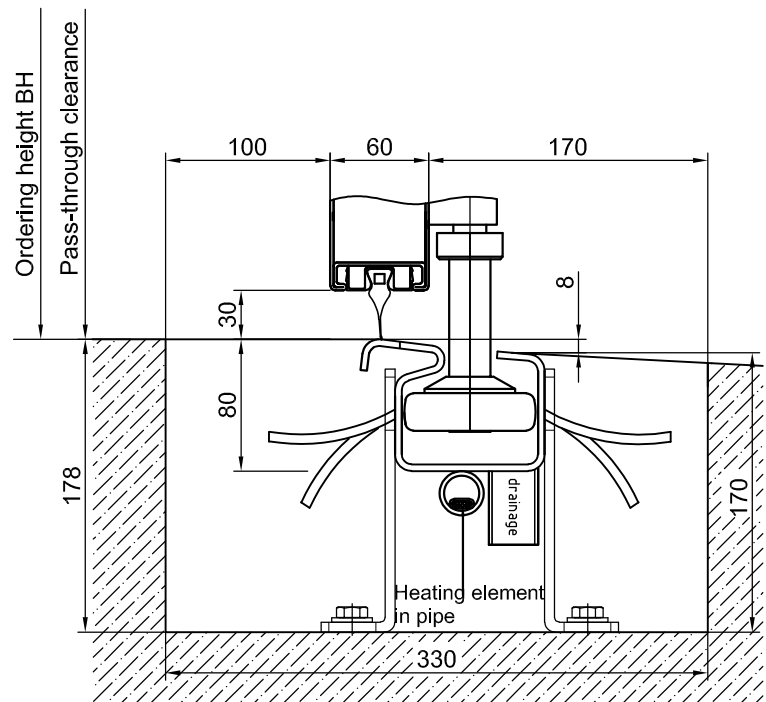
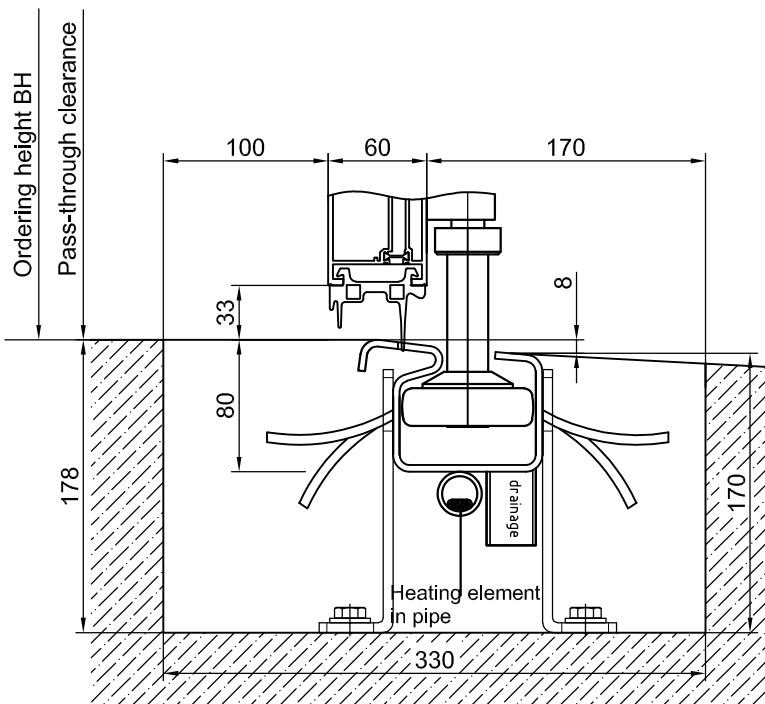
AL602F

not possible



AL603F

ST602F

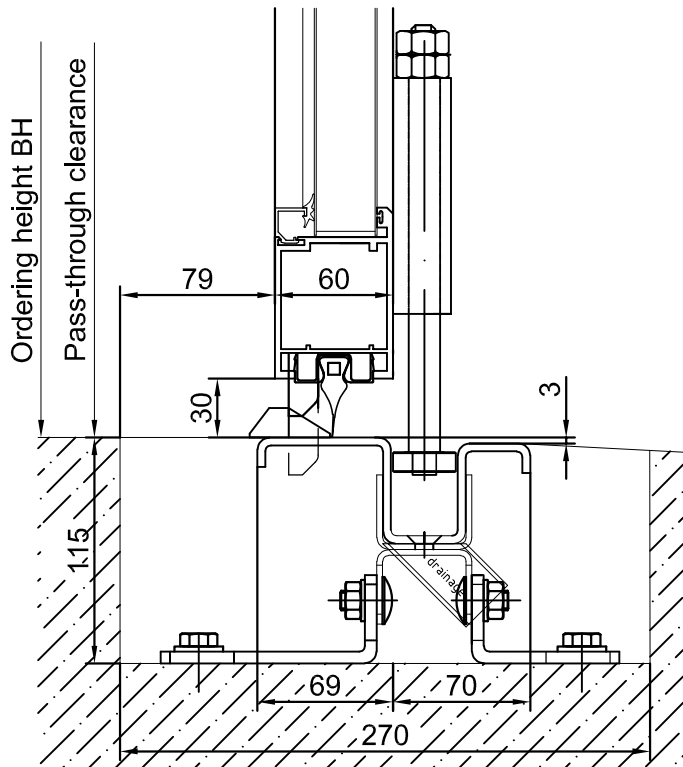


# bottom detail

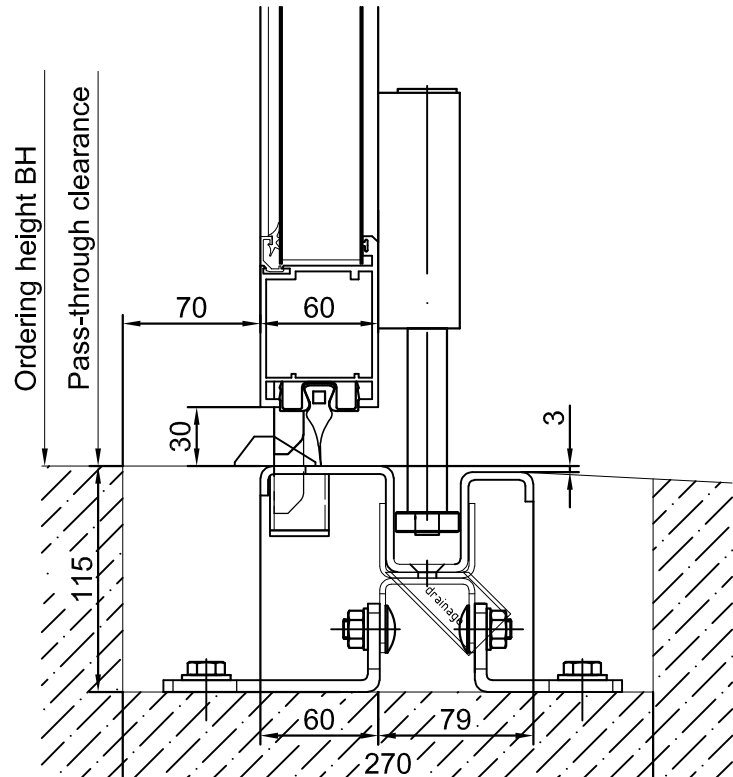
## Floor guide, BF-light NIRO

Caution: 5% gradient in opening direction

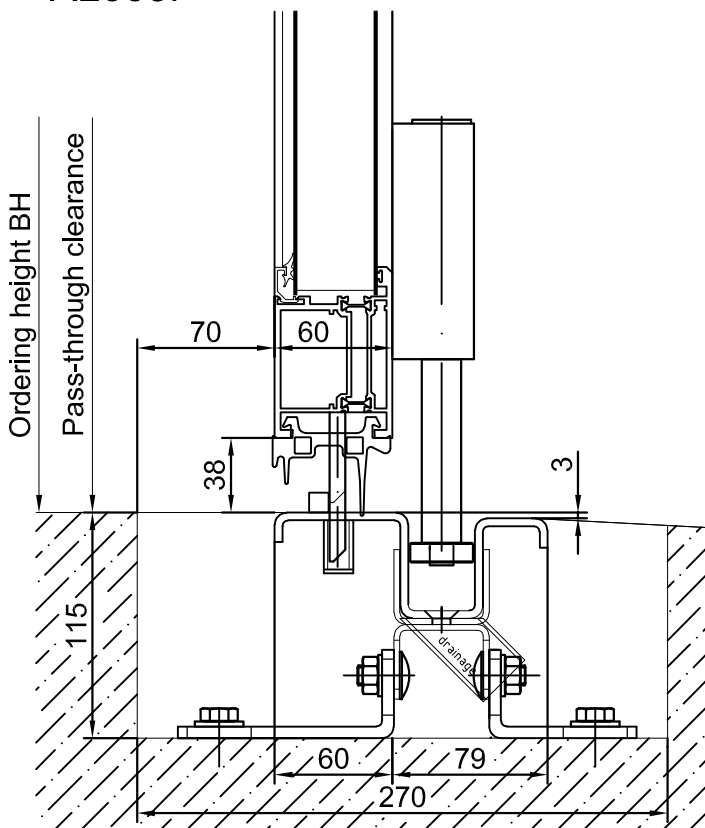
AL601F 2.0



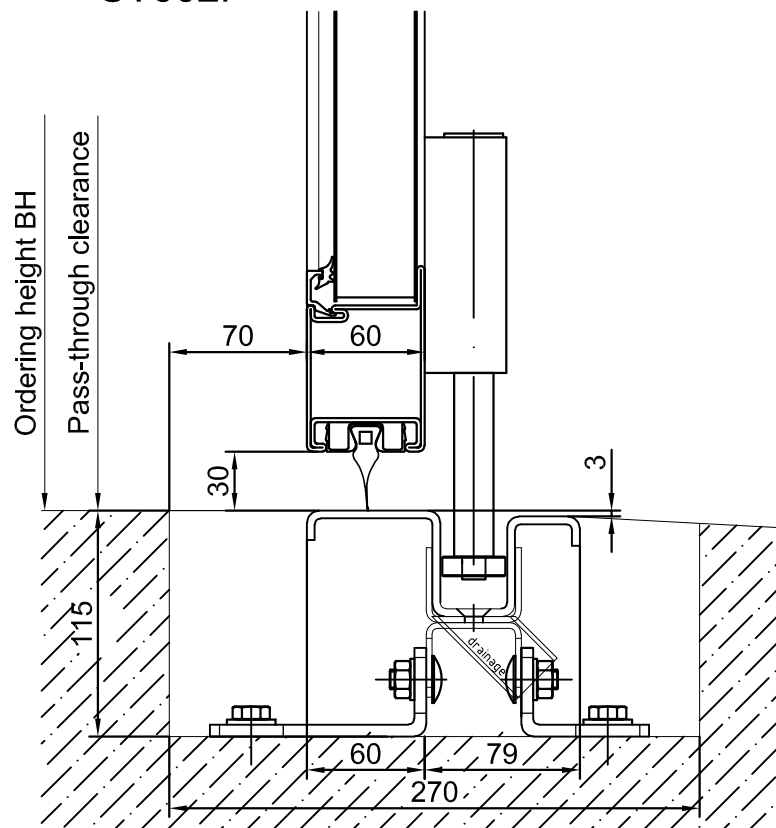
AL602F



AL603F



ST602F

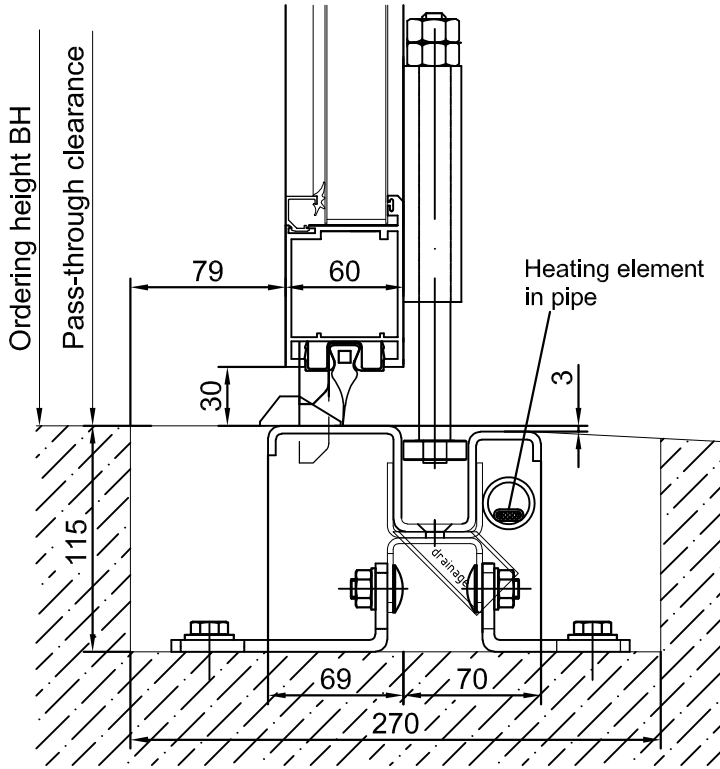


# bottom detail

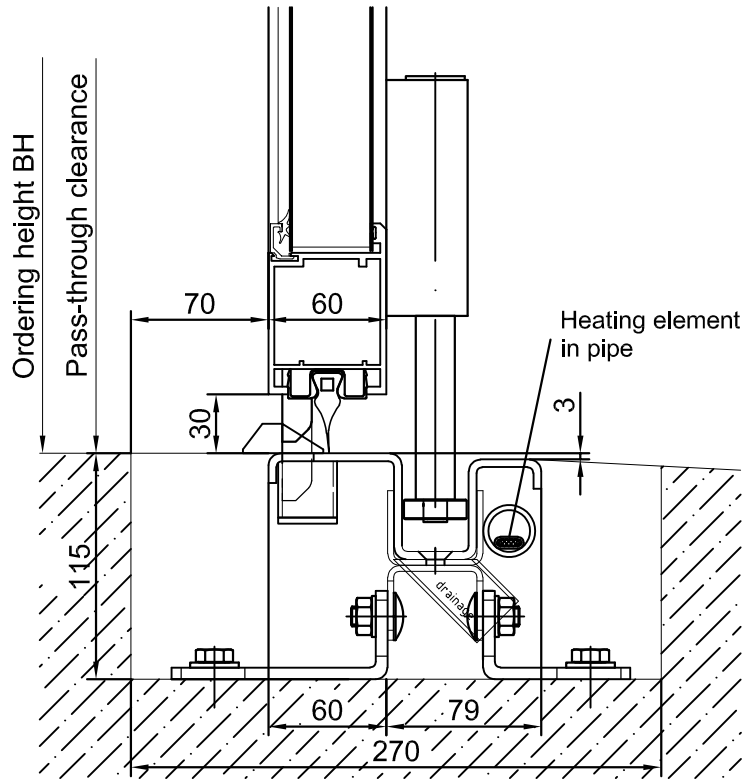
## Floor guide, heated, BF-light NIRO

Caution: 5% gradient in opening direction

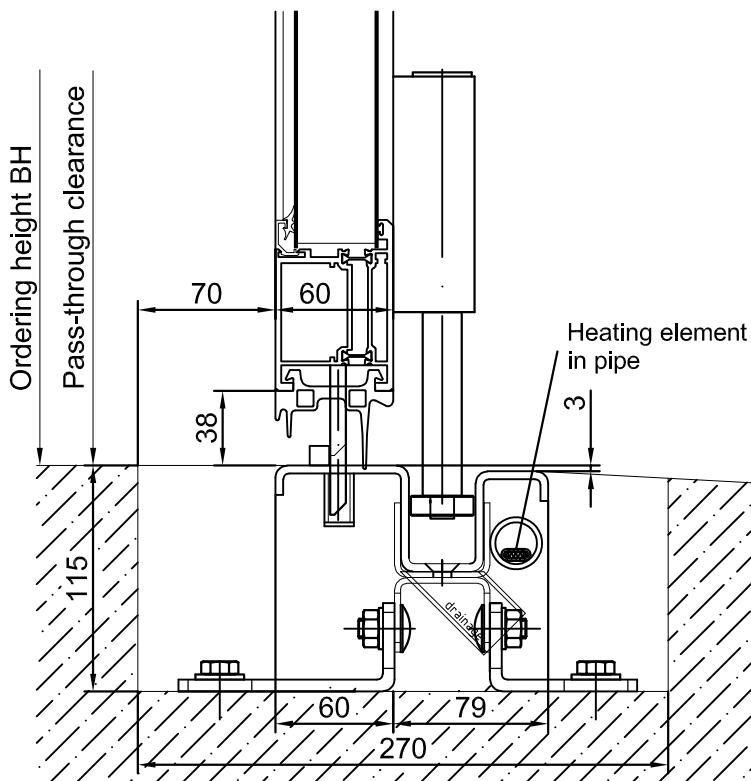
### AL601F 2.0



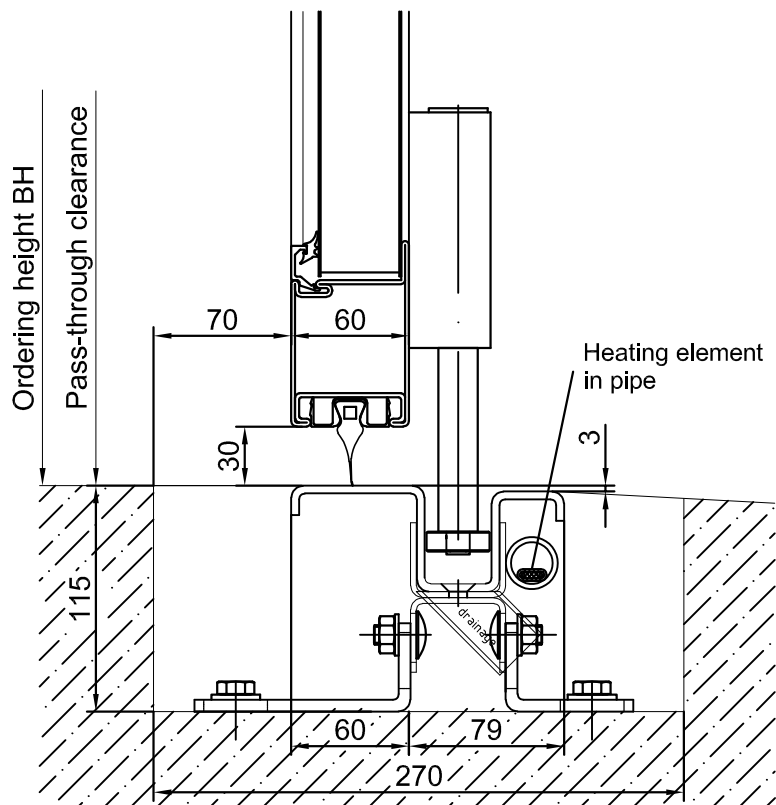
### AL602F



### AL603F



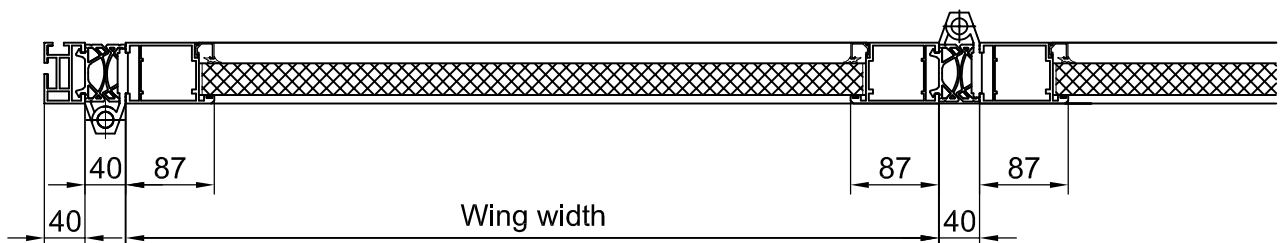
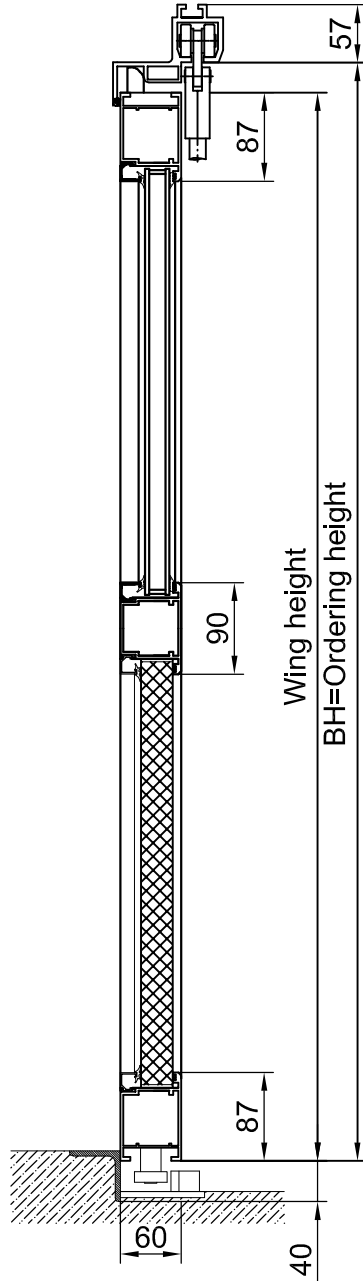
### ST602F





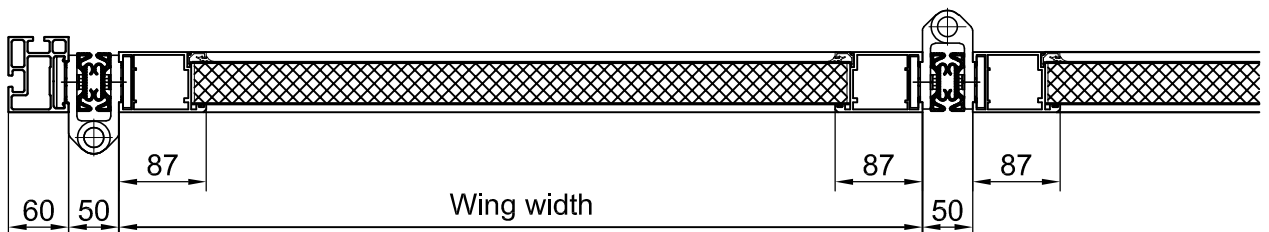
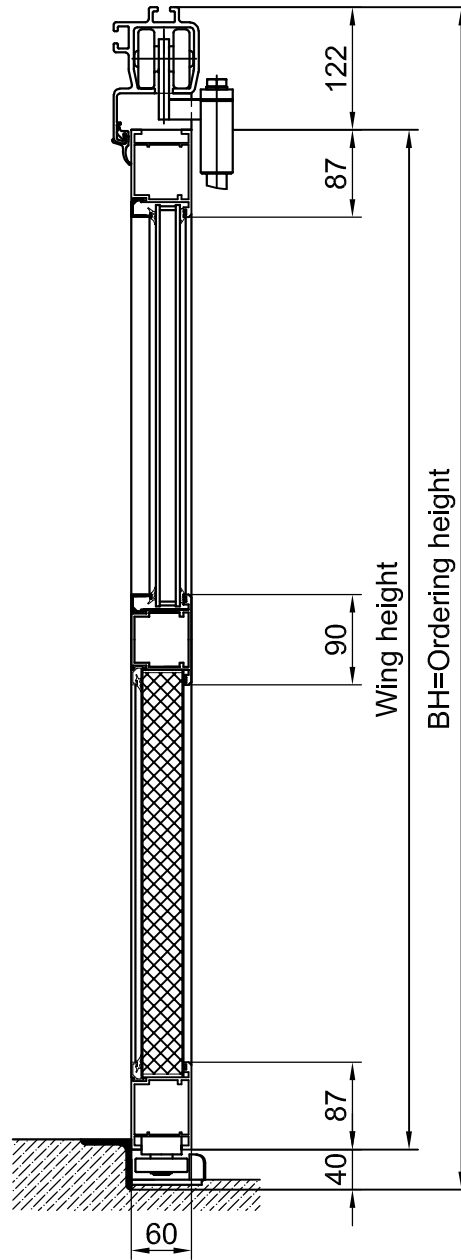
# Vertical and horizontal cut

AL601F 2.0



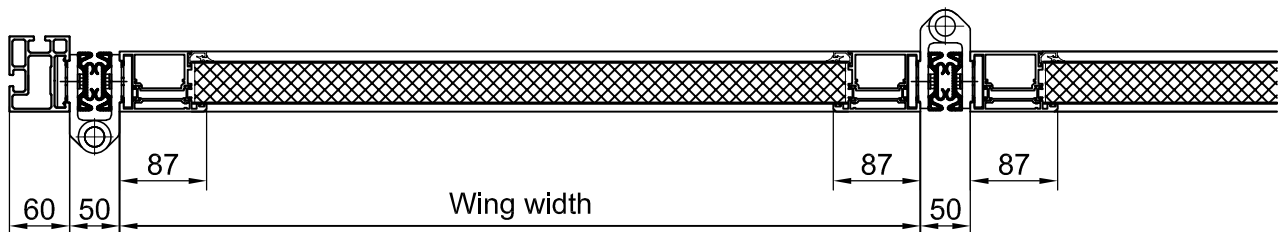
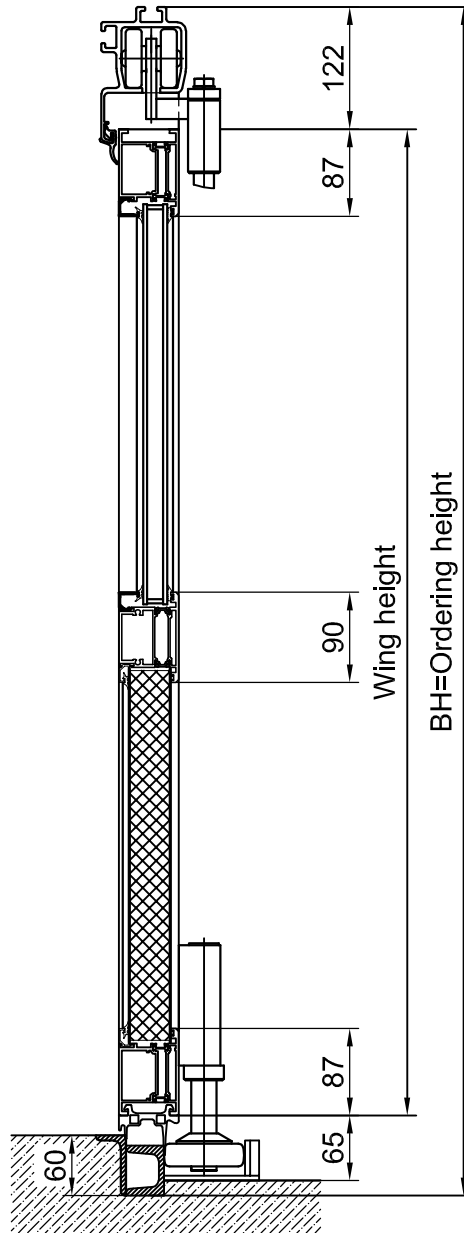
# Vertical and horizontal cut

AL602F



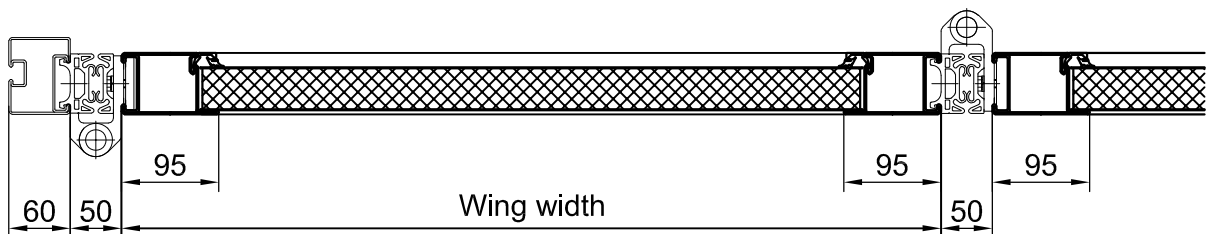
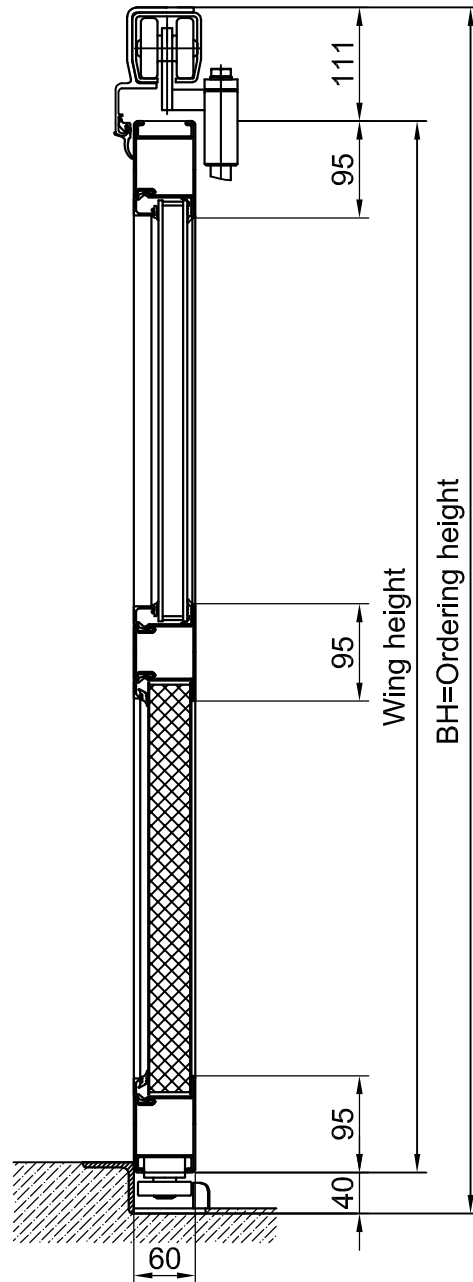
# Vertical and horizontal cut

AL603F



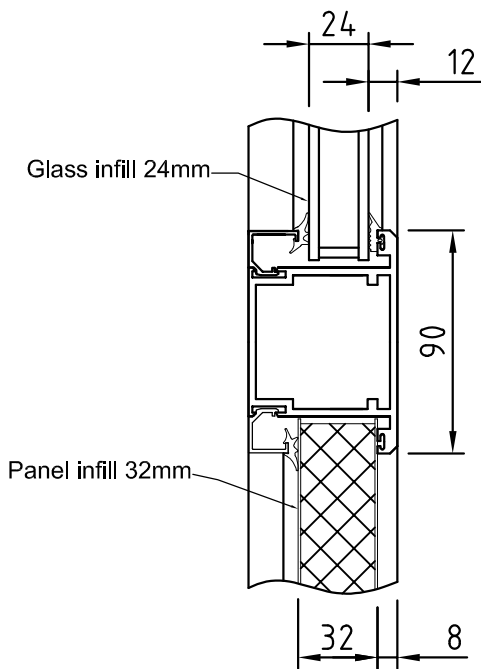
# Vertical and horizontal cut

ST602F

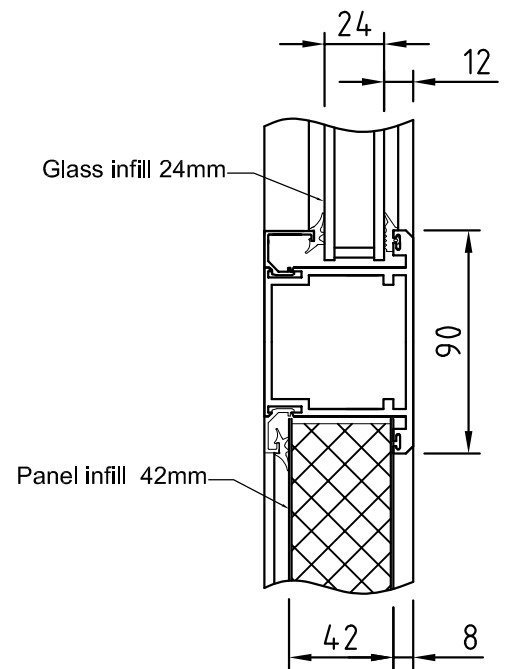


# Transom

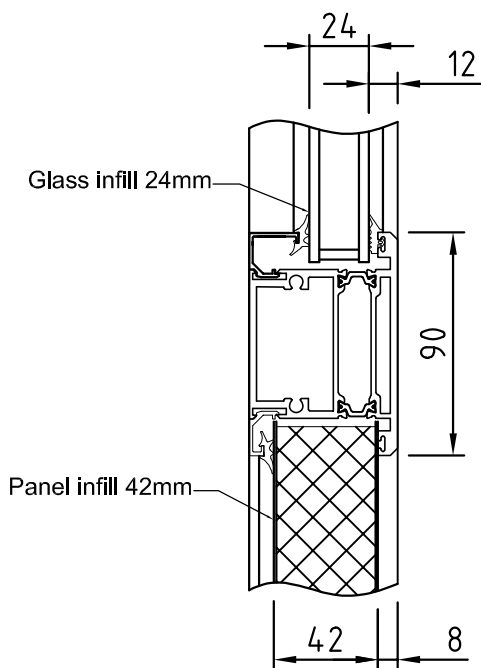
AL601F 2.0



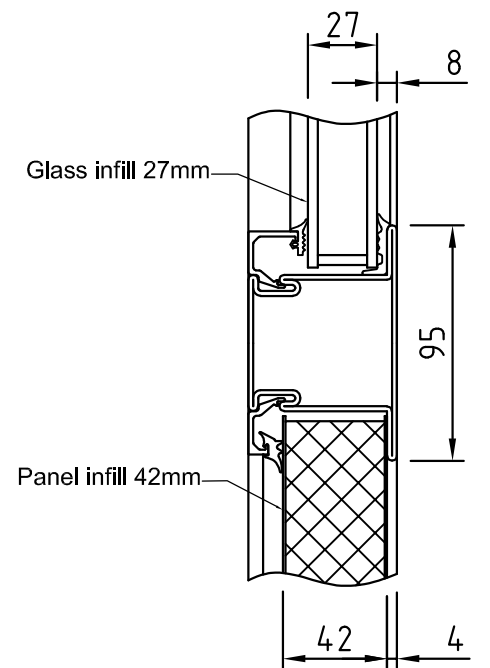
AL602F



AL603F

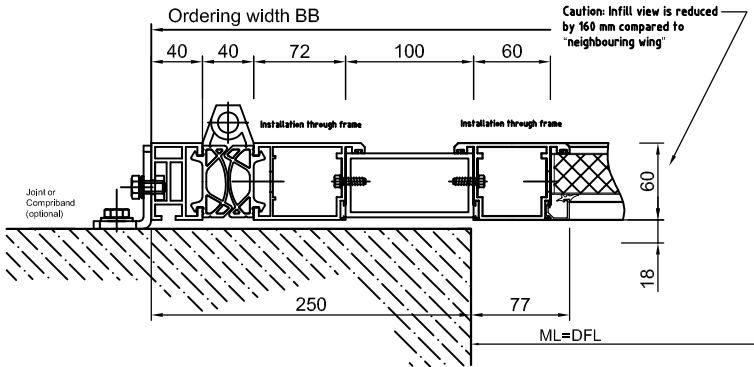


ST602F

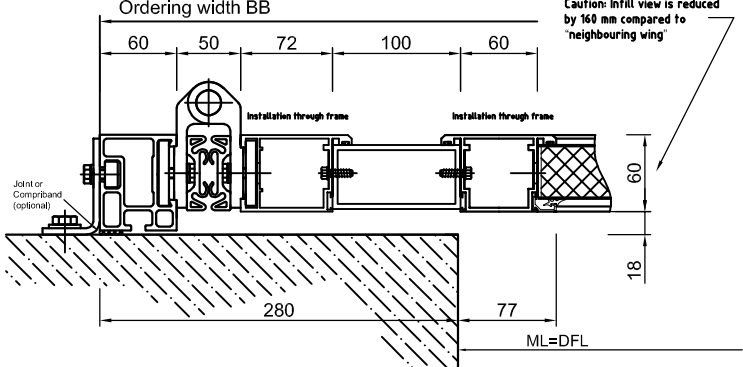


# Frame widenings

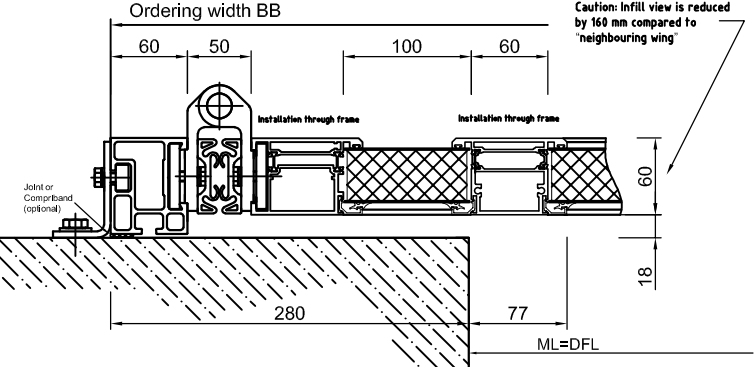
AL601F 2.0



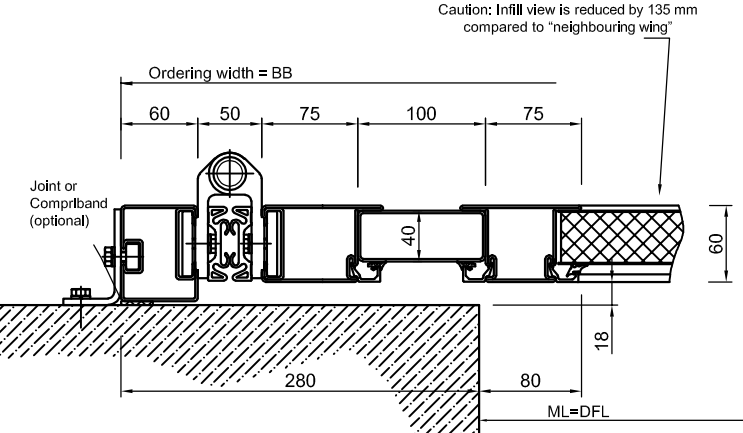
AL602F



AL603F

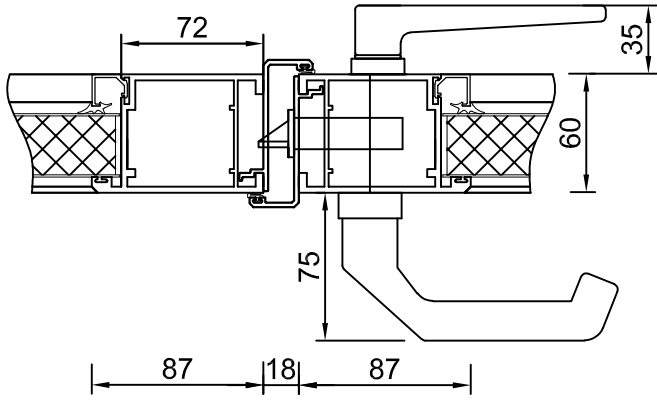


ST602F

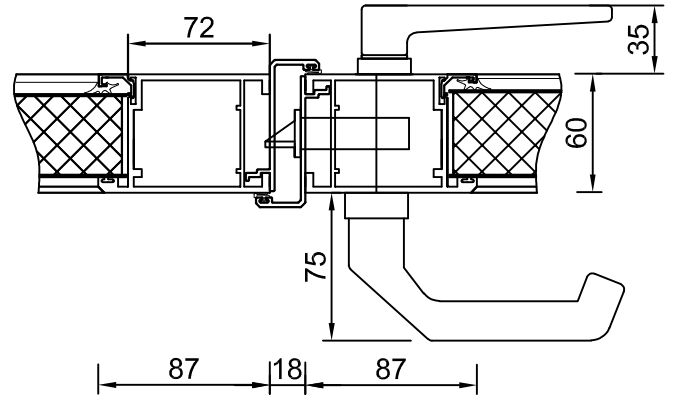


# Personnel wing

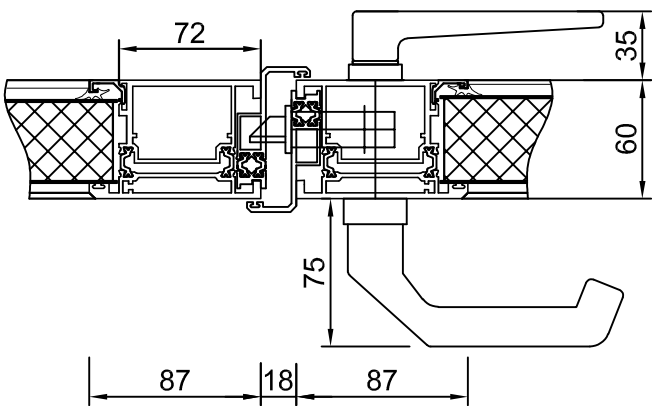
AL601F 2.0



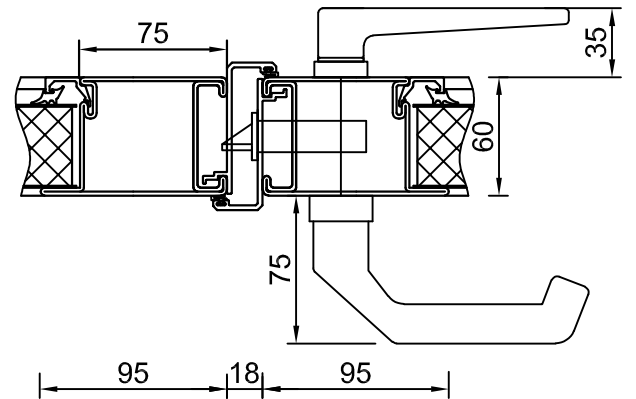
AL602F



AL603F



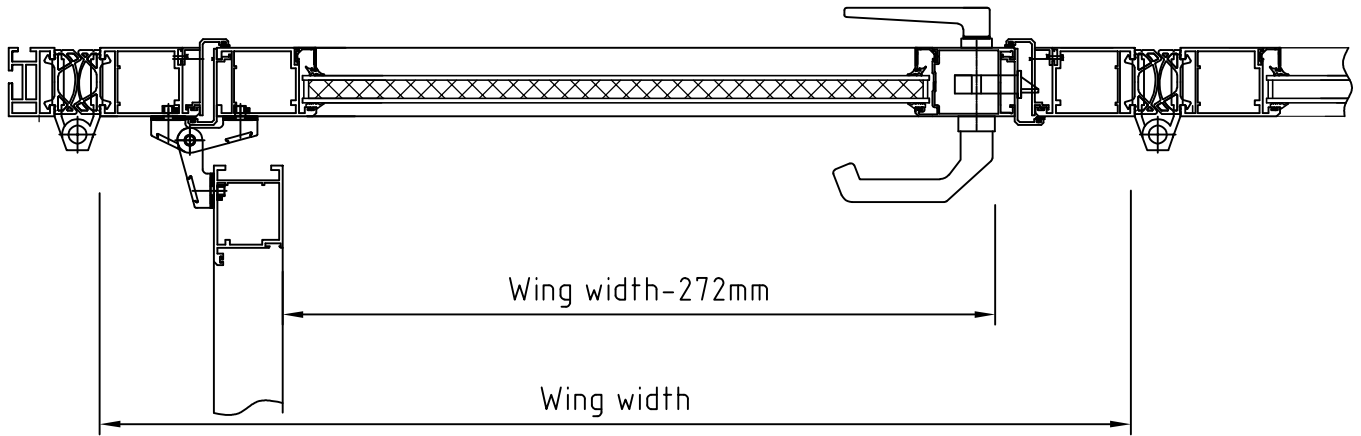
ST602F



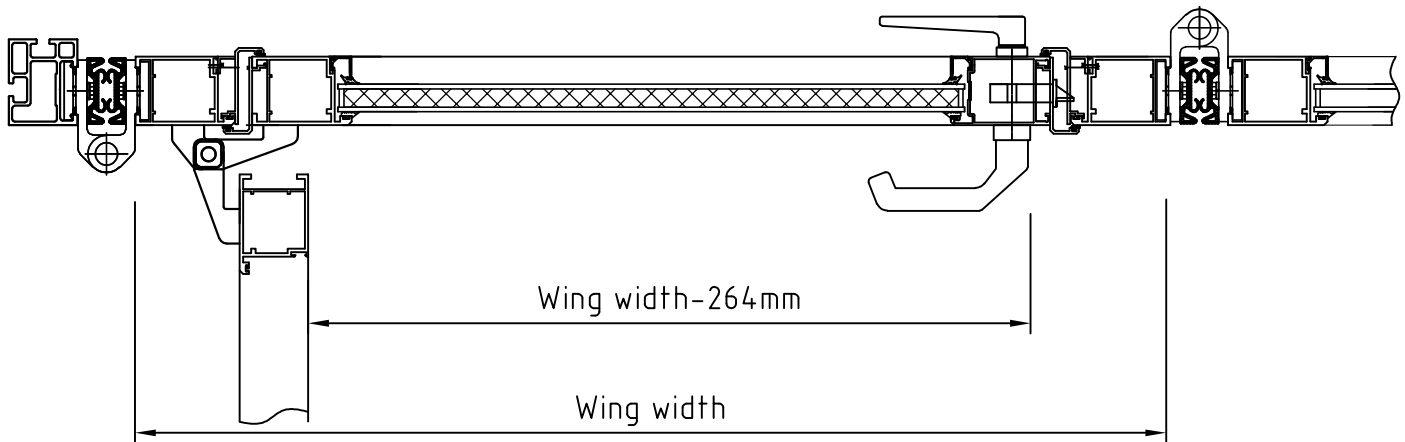
# Personnel door horizontal cut

Only possible in outward opening version

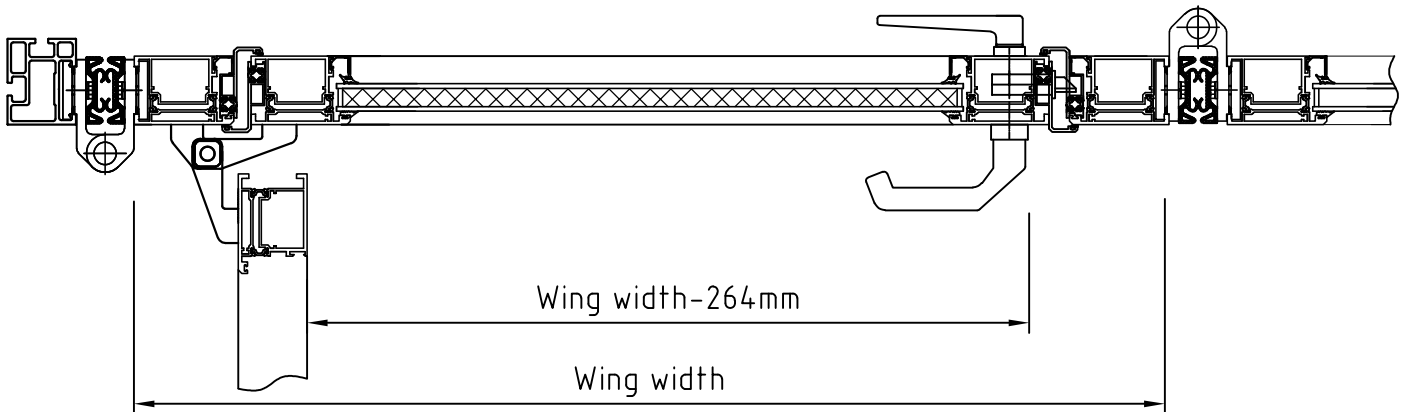
AL601F 2.0



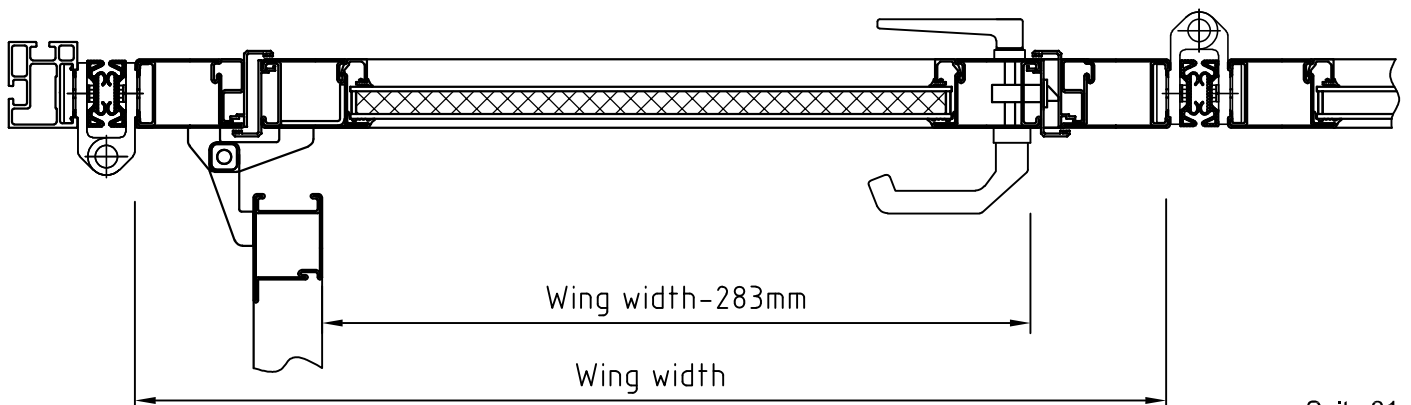
AL602F



AL603F



ST602F

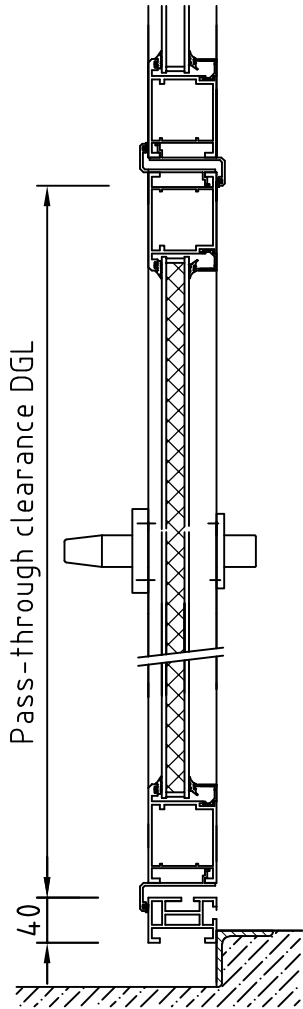




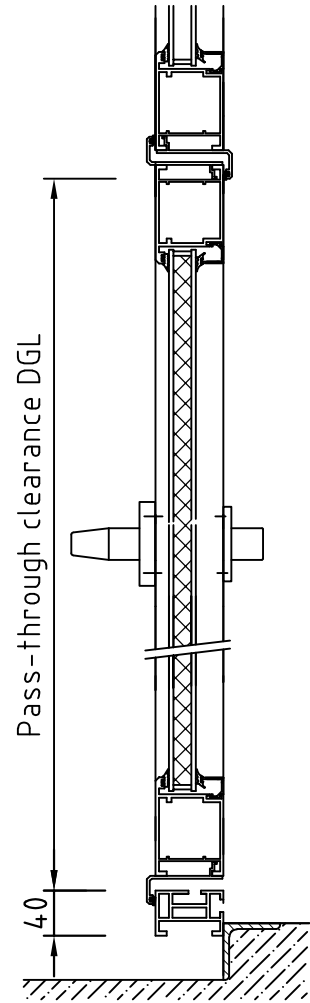
# Personnel door vertical cut

Only possible in outward opening version

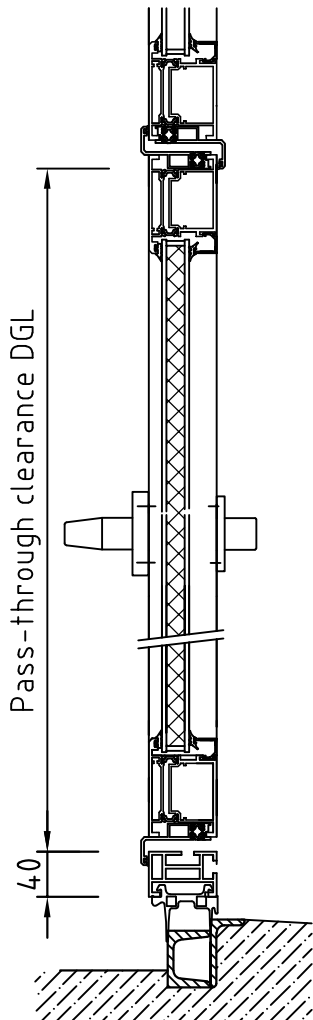
AL601F 2.0



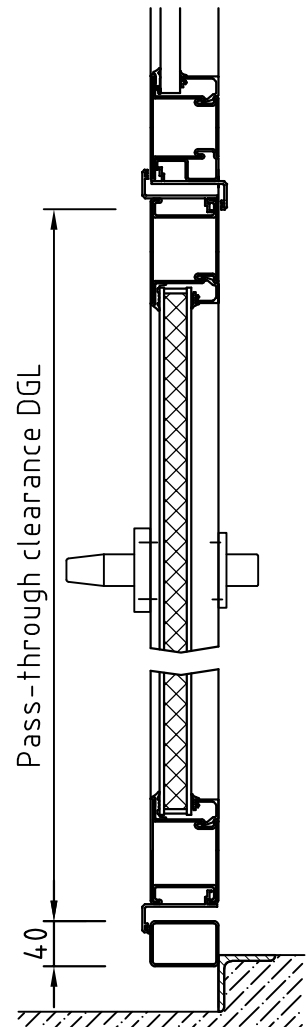
AL602F



AL603F



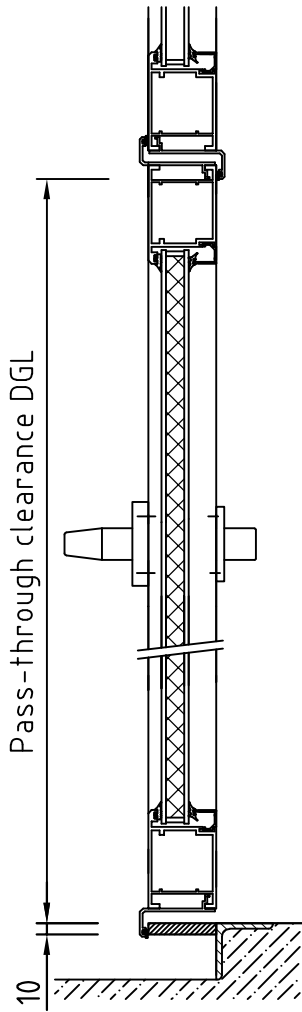
ST602F



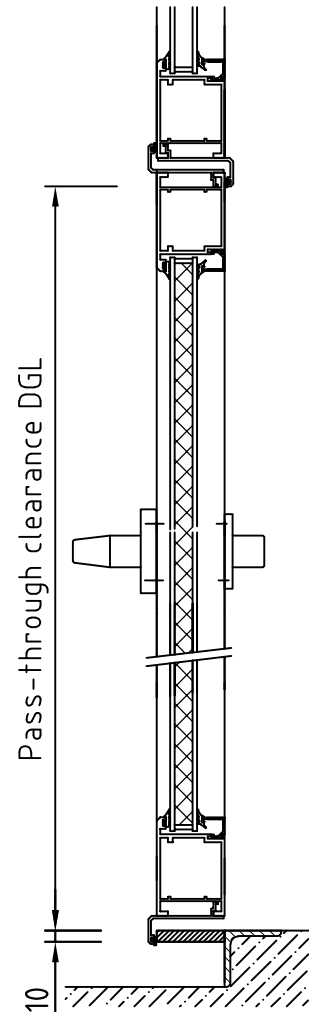
# Personnel door vertical cut (flat steel threshold)

Only possible in outward opening version

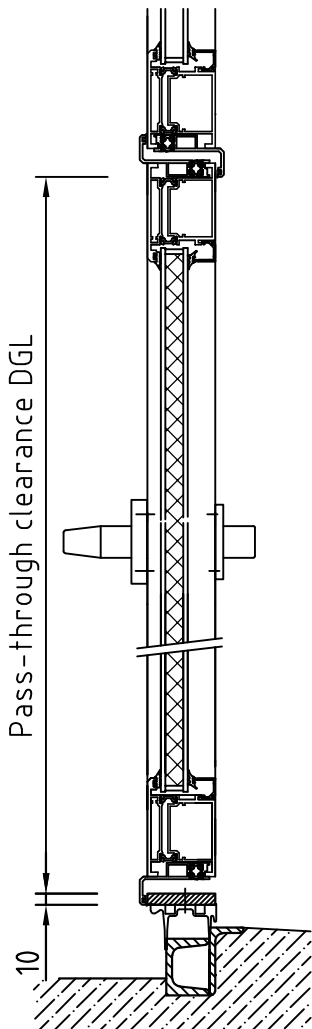
AL601F 2.0



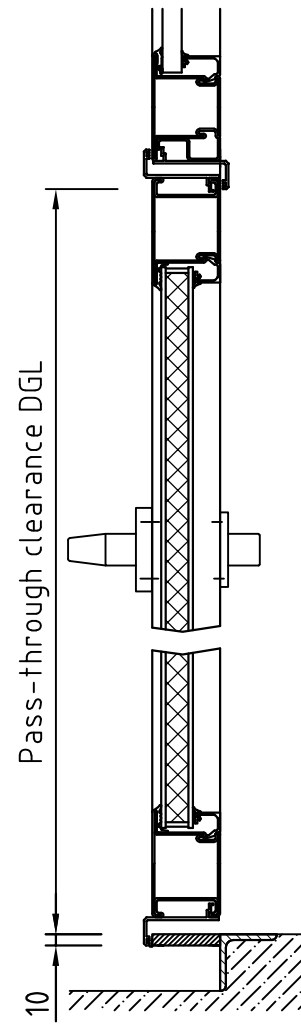
AL602F



AL603F



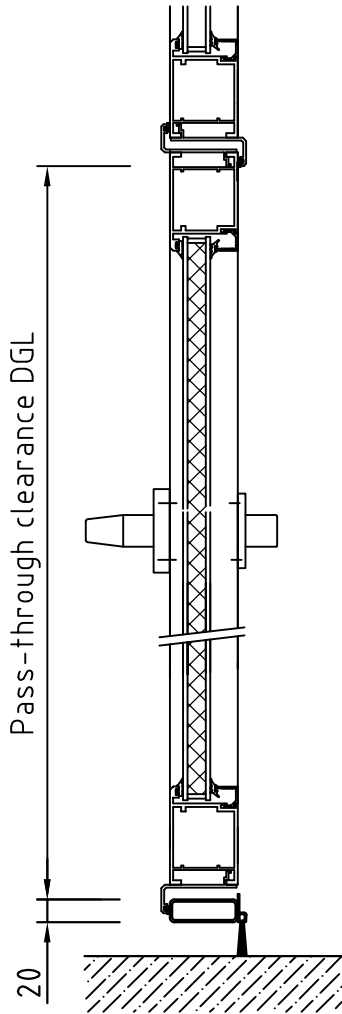
ST602F



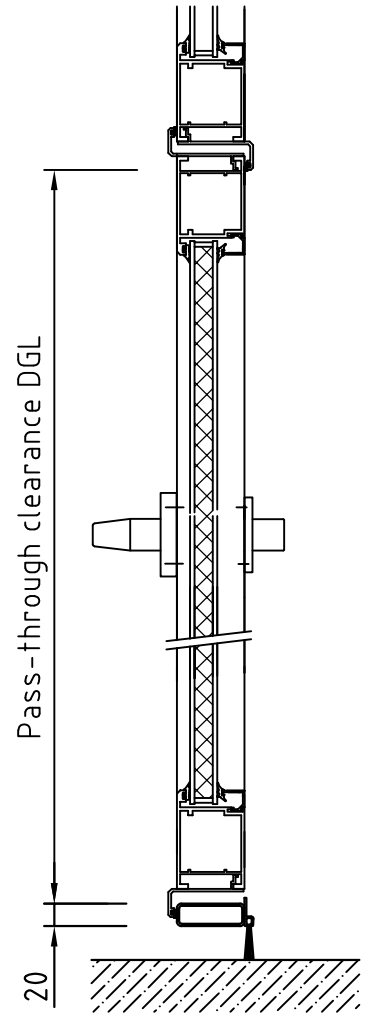
# Personnel door vertical cut (Shaped tube threshold)

Only possible in outward opening version Only for low threshold with sealing brush

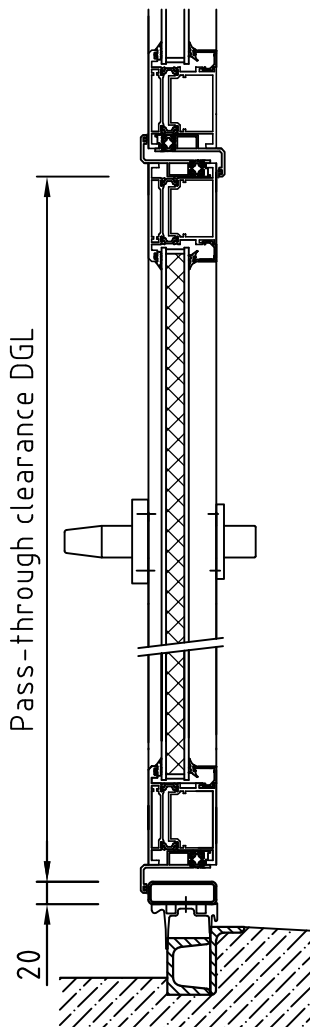
AL601F 2.0



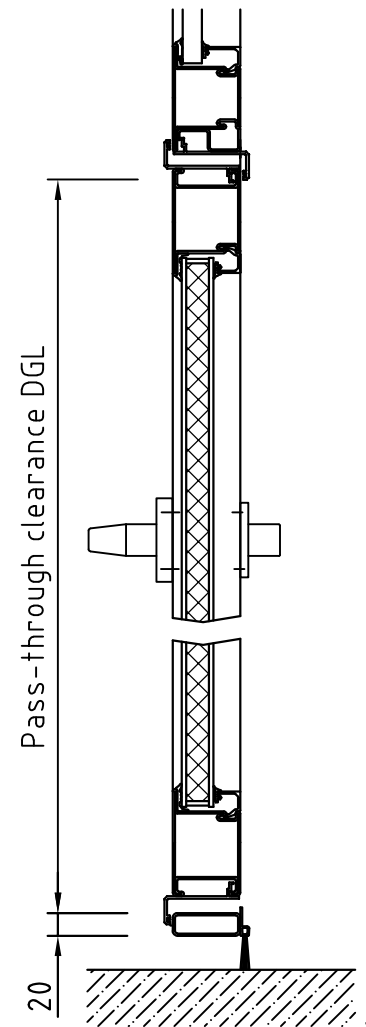
AL602F

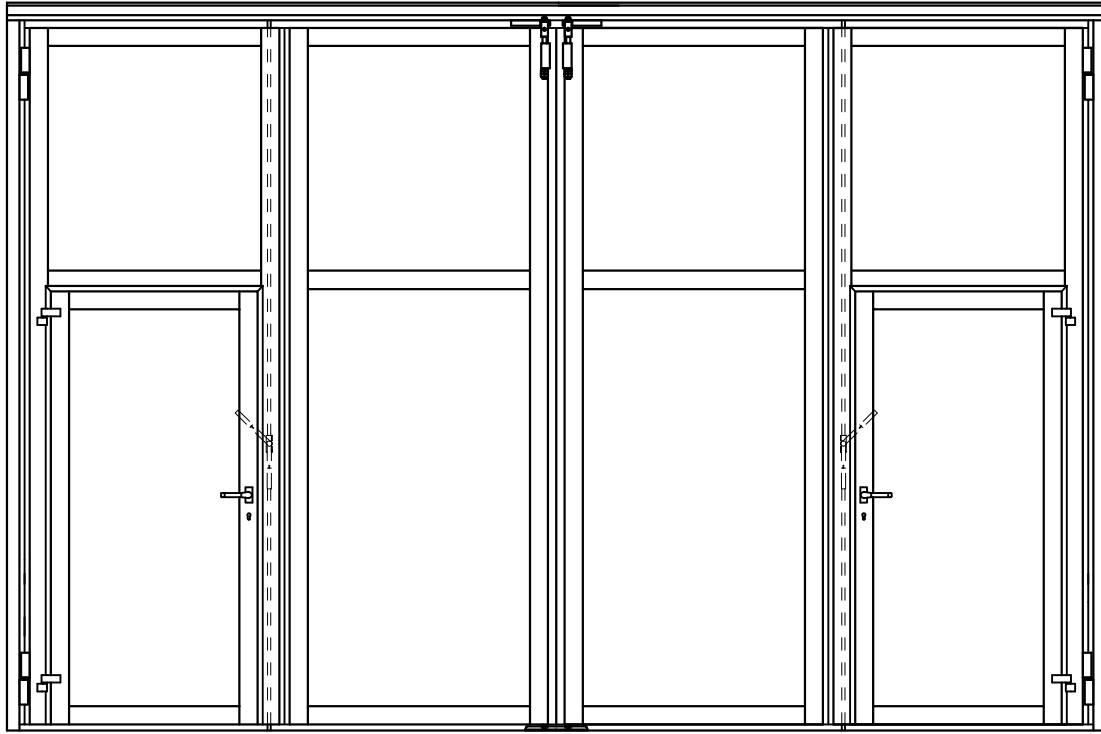


AL603F

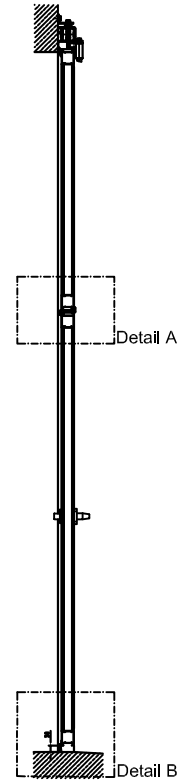


ST602F

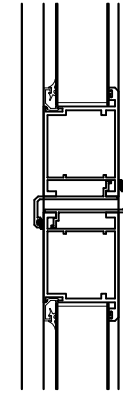




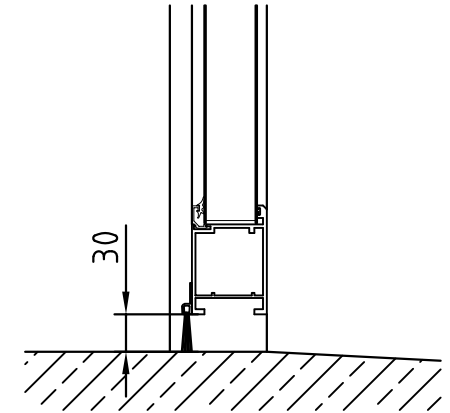
vertical cut



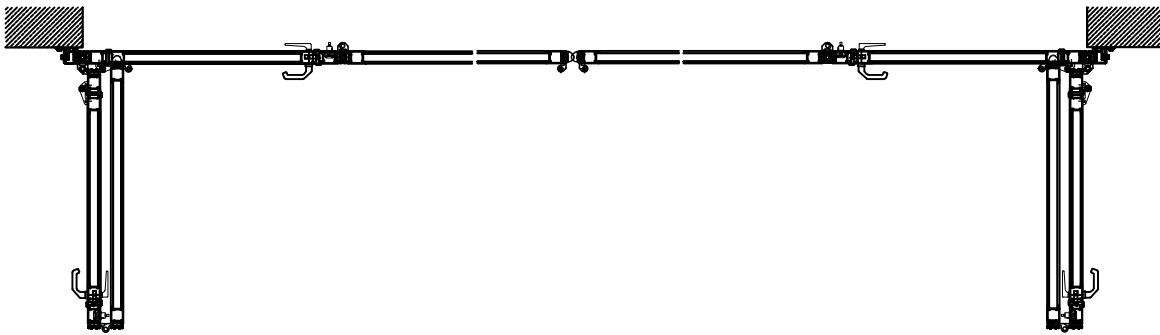
Detail A



Detail B



horizontal cut



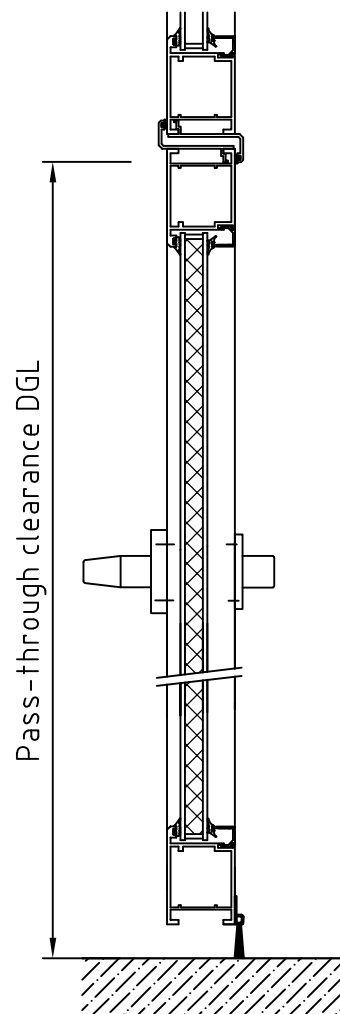
System drawing no-threshold personnel door

# Personnel door vertical cut (without threshold)

Hinges only possible on frame side BH 4000mm

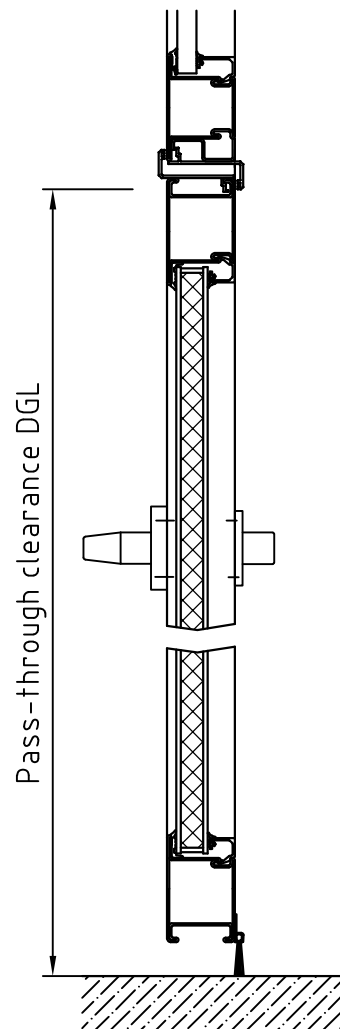
AL601F 2.0

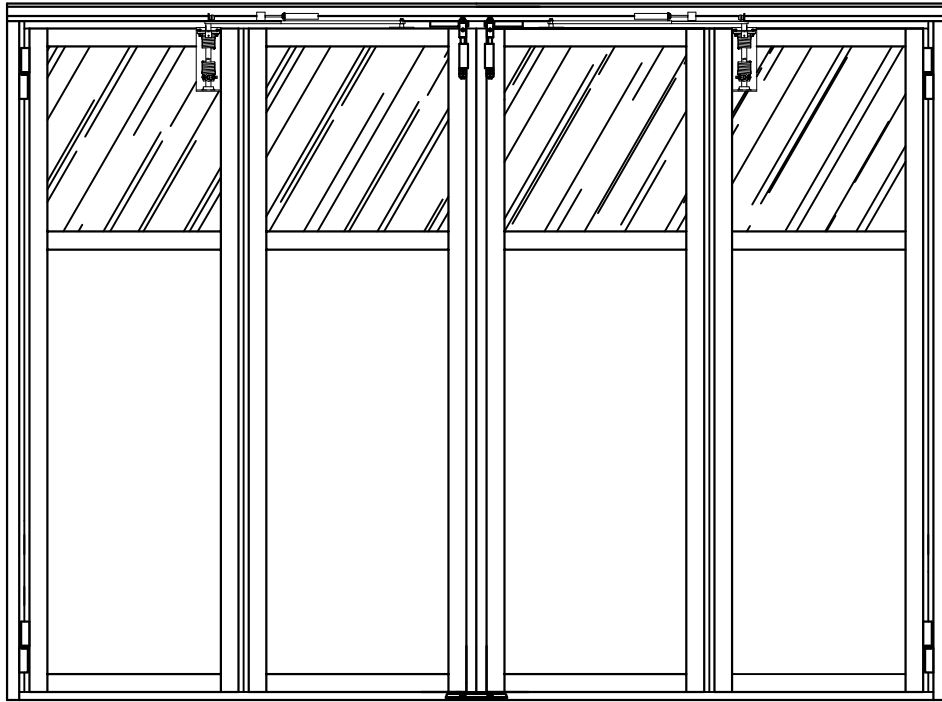
AL602F



AL603F

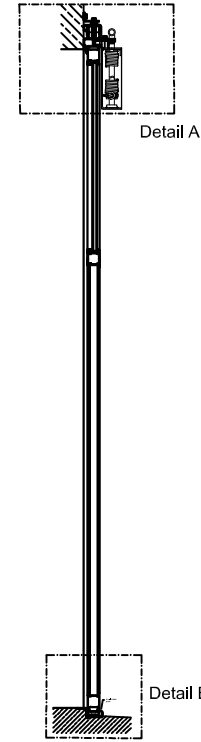
ST602F



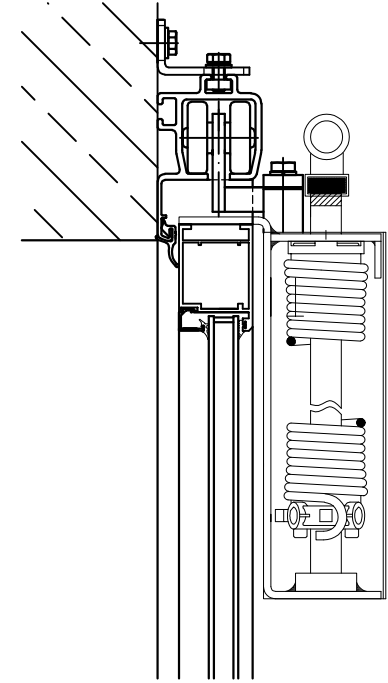


horizontal cut

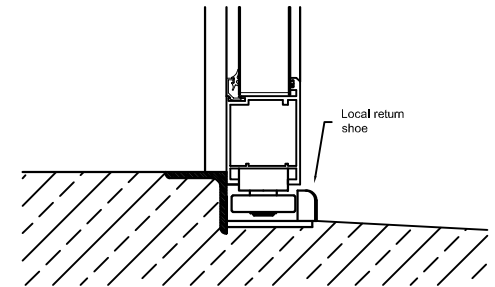
vertical cut



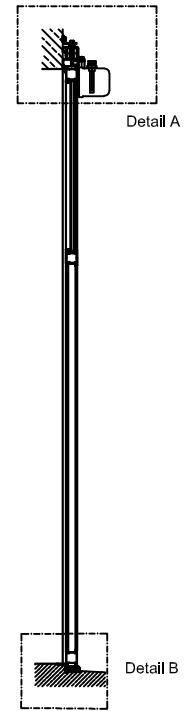
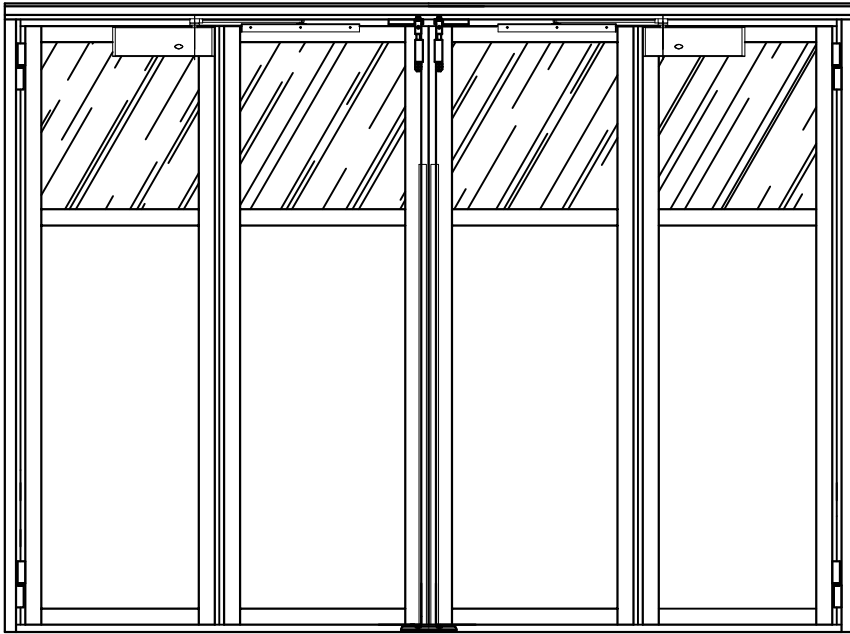
Detail A



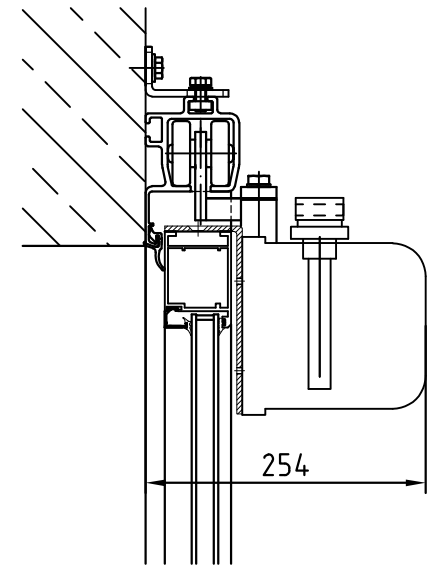
Detail B



System drawing automatic opening function

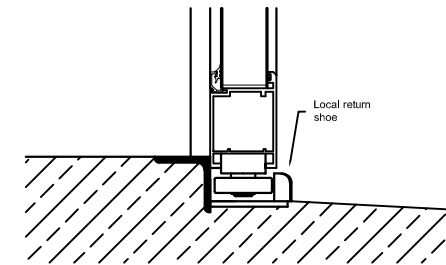


Detail A

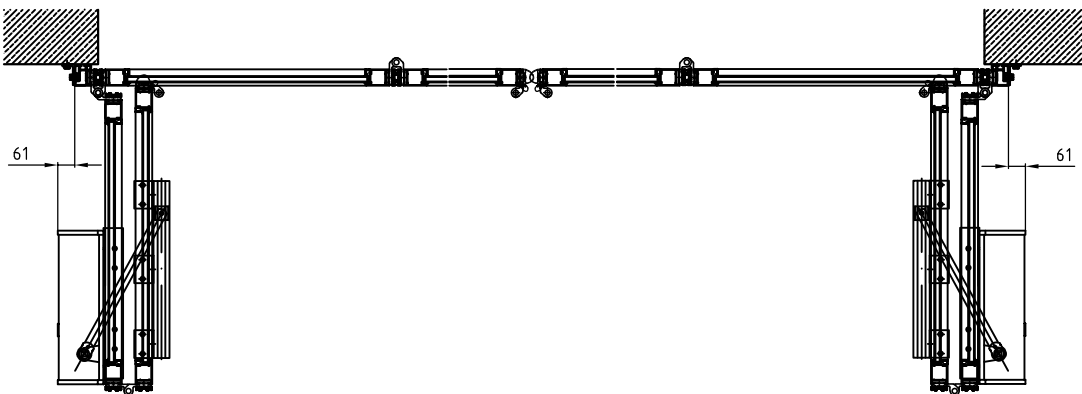


254

Detail B



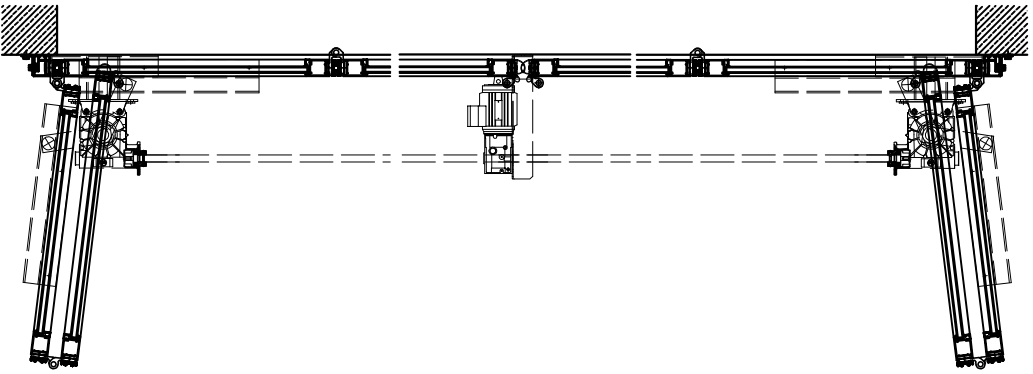
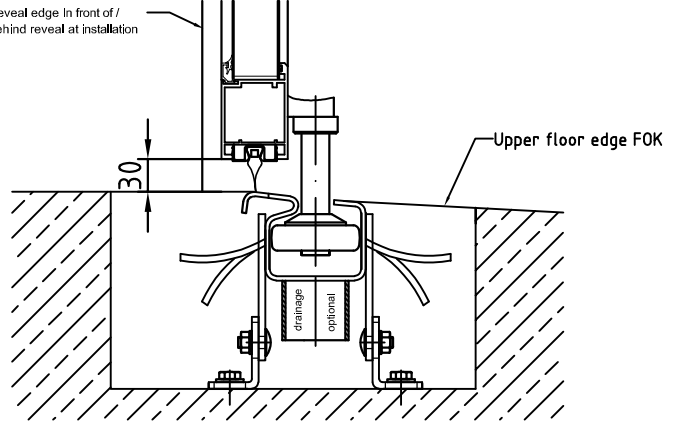
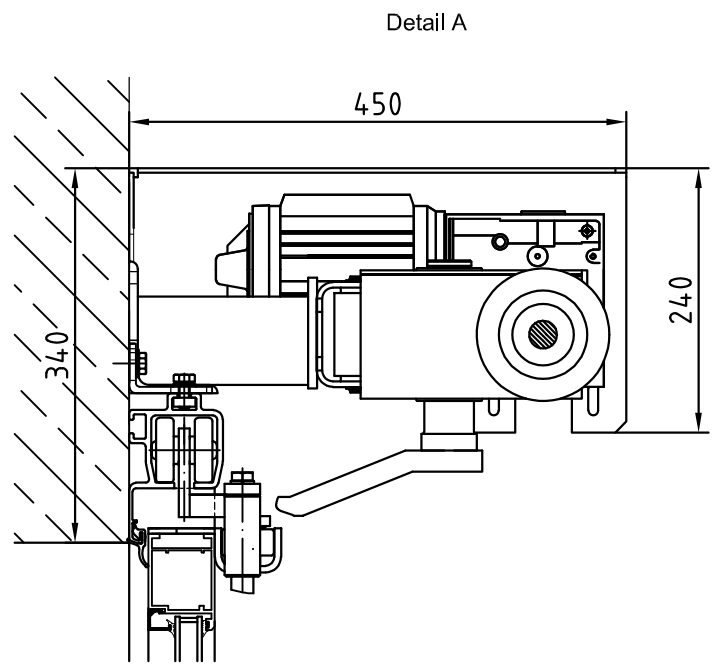
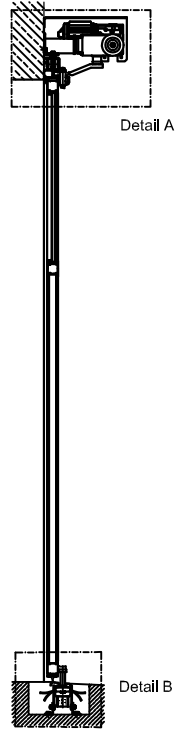
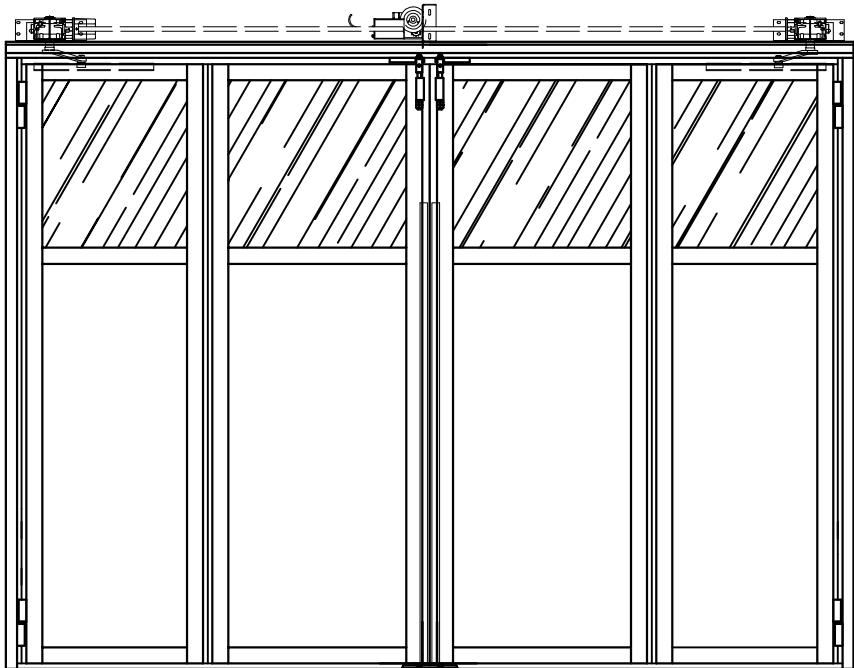
Local return shoe



61

61

System drawing folding door drive BASIC



System drawing folding door drive POWER