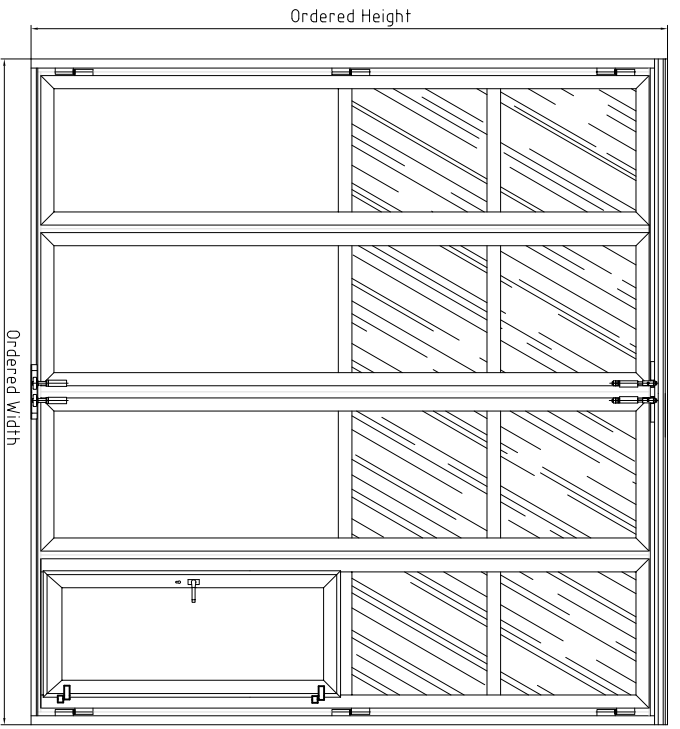
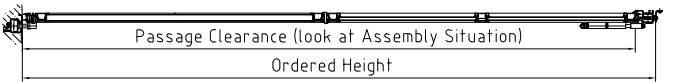


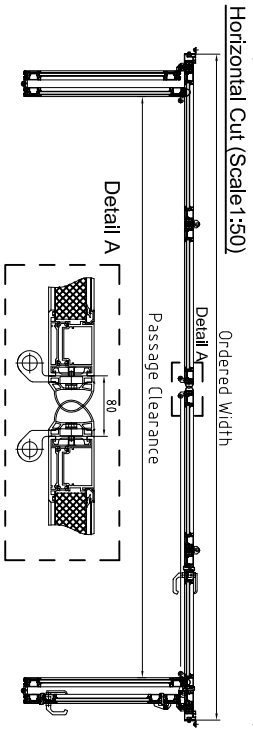
External View (Scale:1:50)



Vertical Cut (Scale:1:50)

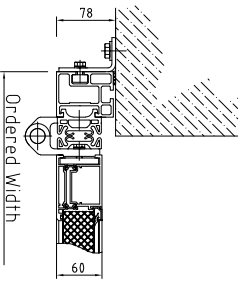


Horizontal Cut (Scale:1:50)

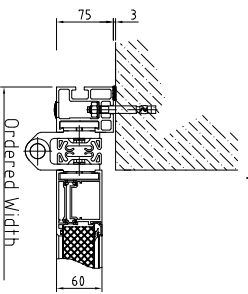


Assembly Situation (Scale:1:10)

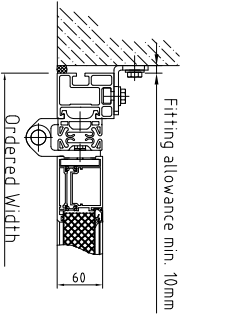
a) Infront of or behind the reveal IR/BR



b) Infront and through the vertical frame profile

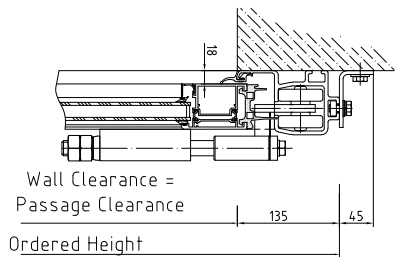


c) In the reveal IR

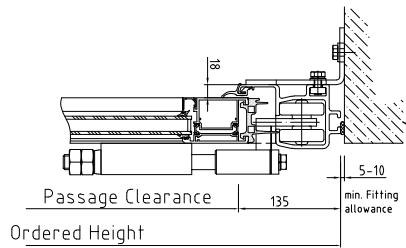


Assembly Situation on the Ledge (Scale:1:10)

a) Infront of or behind the reveal IR/BR

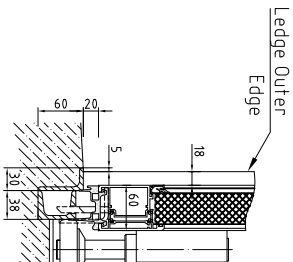


b) In the reveal IR

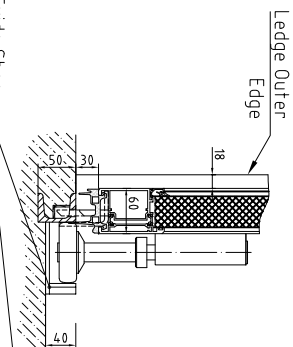


Bottom Details (Scale:1:10)

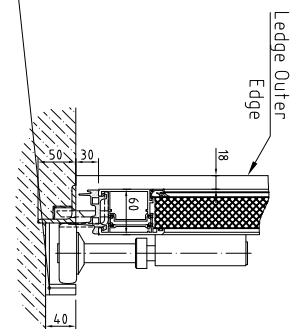
a) Threshold DA



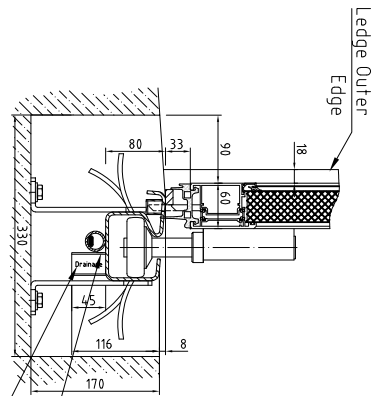
b) Threshold U50D



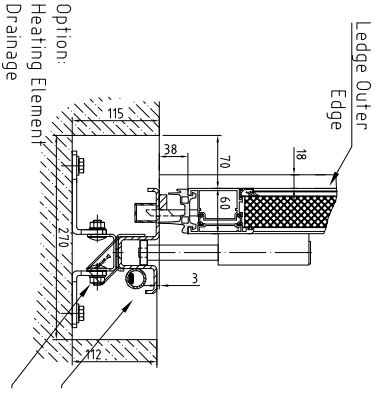
c) Threshold L50D



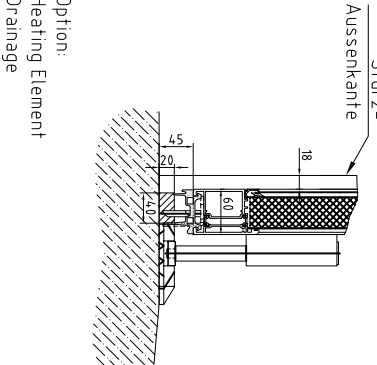
d) Floorguide



e) Floorguide -light Niro



f) Flat steel Threshold S20D



Architectural Sheet
AL603F

SCHNEIDER - Torsysteme GmbH,

A-4611 Buchkirchen, Kalzstrasse 1

Datename: SCH_ARCHITEKTENBLATT_AL603F_2019_08

KR

05.08.2019

SCHNEIDER
Torsysteme