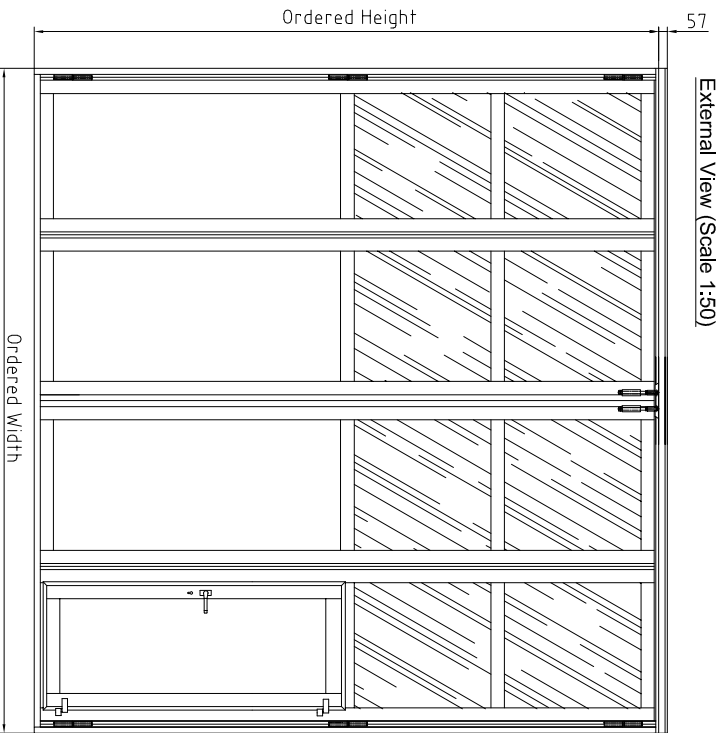
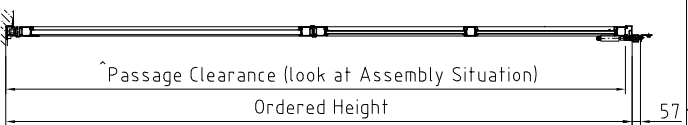


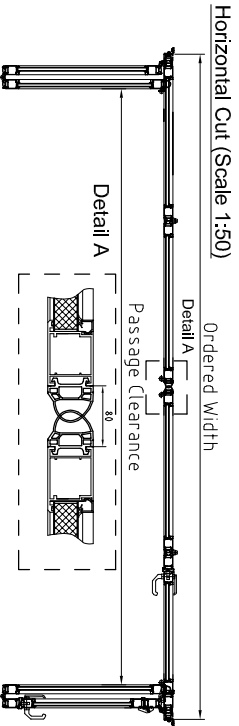
External View (Scale 1:50)



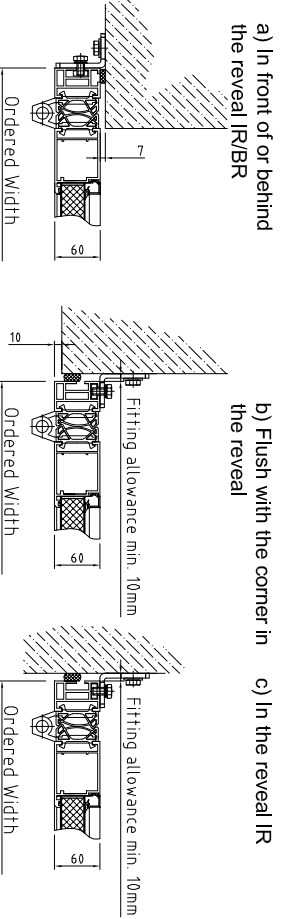
Vertical Cut (Scale 1:50)



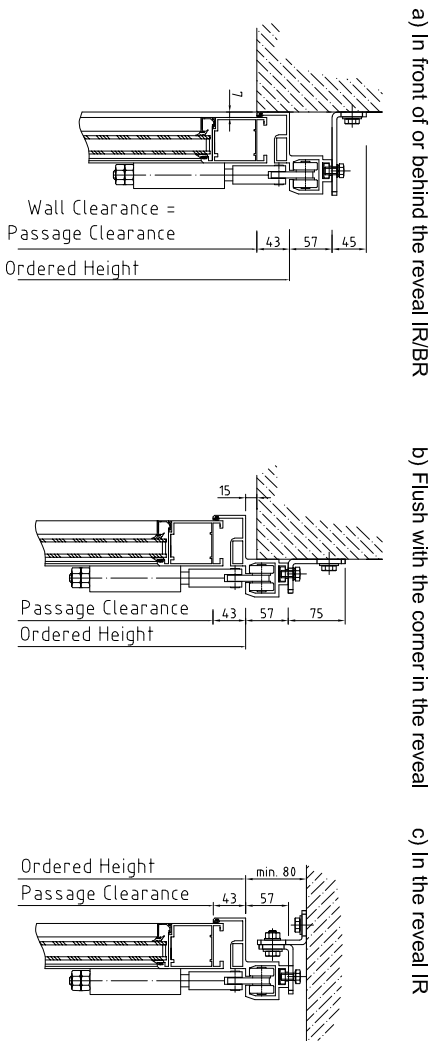
Horizontal Cut (Scale 1:50)



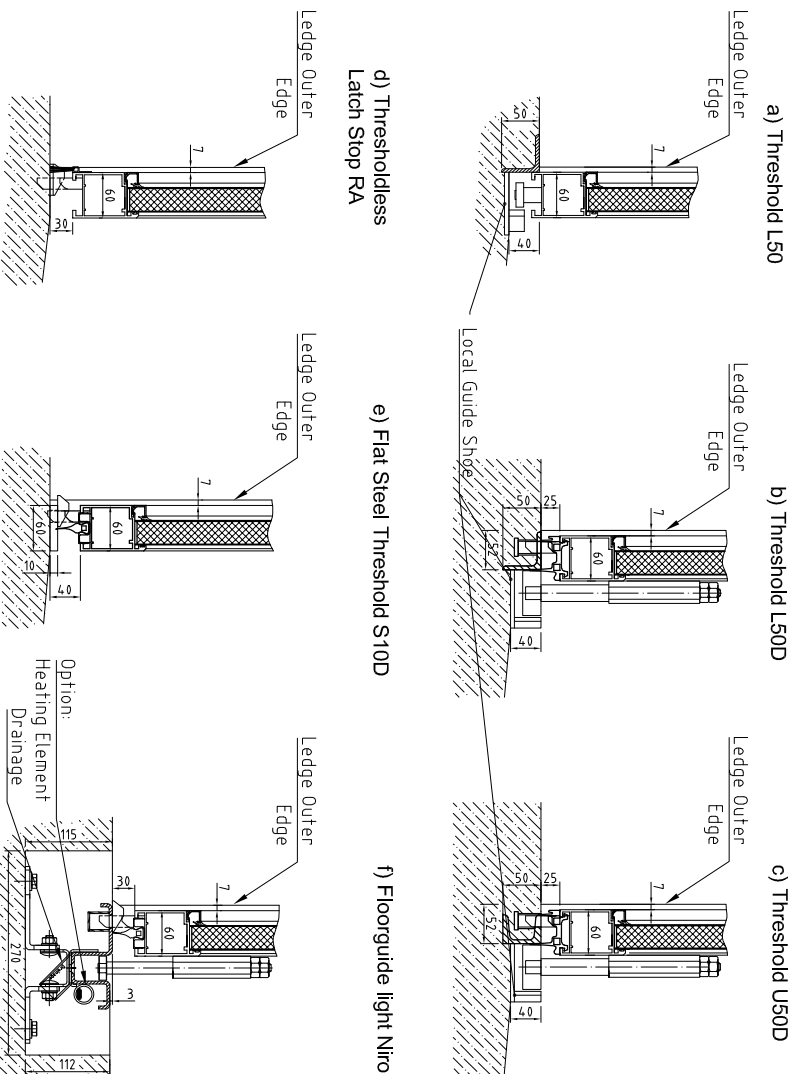
Assembly Situation (Scale 1:10)



Assembly Situation on the Ledge (Scale 1:10)



Bottom Details (Scale 1:10)



# Installation drawing AL601F2.0

SCHNEIDER - Torssysteme GmbH

A-4611 Buchkirchen, Kalzstrasse 1

Dat filename: SCH\_EINBAU\_ZUG\_FALTTOR AL601F\_2.0\_2023-06\_DE\_EN

30.05.2023

# SCHNEIDER Torssysteme