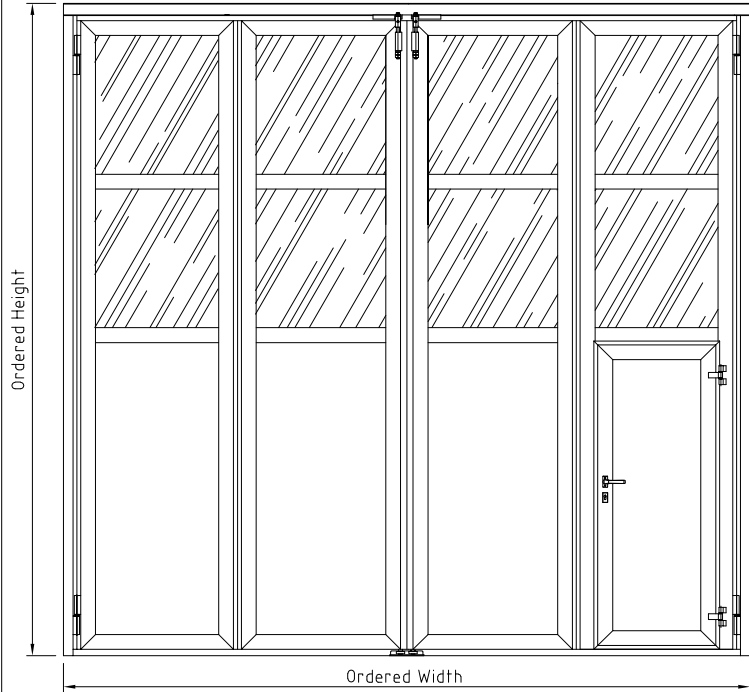
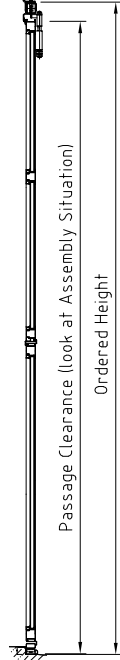


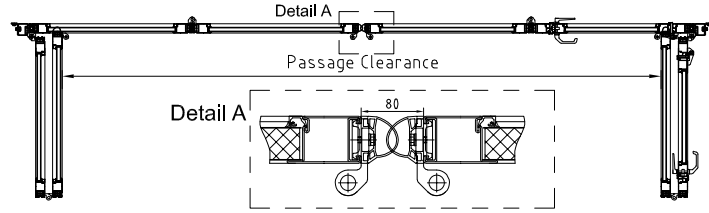
External View (Scale1:50)



Vertical Cut (Scale1:50)



Horizontal Cut (Scale1:50)

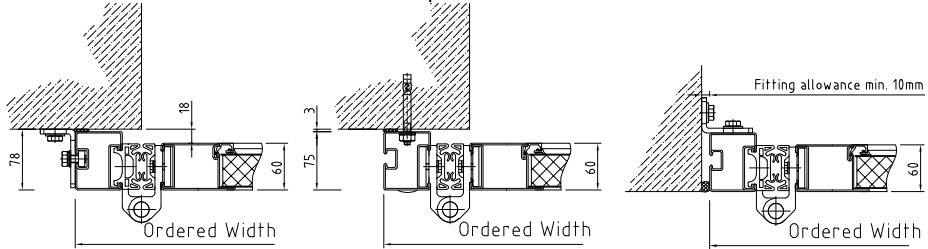


Assembly Situation (Scale1:10)

a) Infront of or behind the reveal IR/BR

b) Infront and through the vertical frame profile

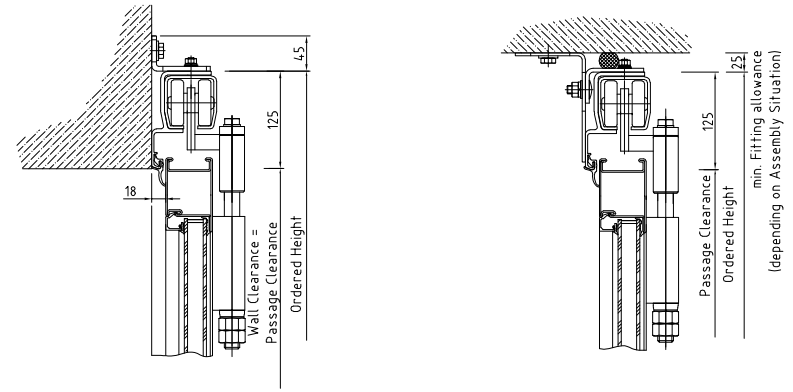
c) In the reveal IR



Assembly Situation on the Ledge (Scale1:10)

a) Infront of or behind the reveal IR/BR

b) In the reveal IR

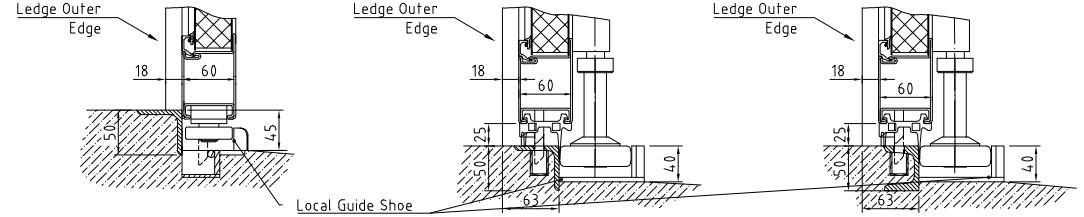


Bottom Details (Scale1:10)

a) Threshold L50

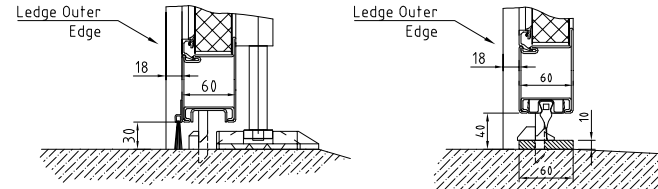
b) Threshold L50 D

c) Threshold U50D



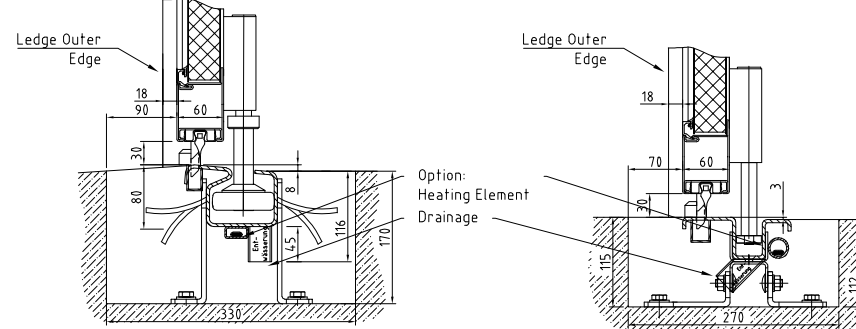
d) Thresholdless Latch Stop RA

e) Flat Steel Threshold S10D



f) Floorguide

g) Floorguide light NIRO



Installation drawing
ST602F